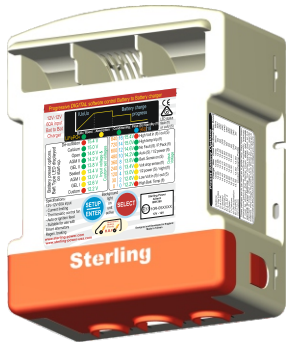


STERLING POWER

Pro Batt Ultra - Battery to Battery Charger

USERS MANUAL.



Code:

- BB1260 12V-12V 60A input
- BB122470 12V-24V 70A input
- BB123670 12V-36V 70A input
- BB124870 12V-48V 70A input
- BB242435 24V-24V 35A input
- BB241235 24V-12V 35A input
- BB123670 12V-36V 70A input
- BB124870 12V-48V 70A input



Code:

- BB1230 12V-12V 30A input
- BB122440 12V-24V 40A input



Test Report Sheet

Each product gets uniquely tested and a report is generated. This unique test report is present inside this box. You must keep this test sheet in this box and keep this box safe. This sheet should be present when the charger is being warranted.



For European languages refer to website:
Europe / RoW: www.sterling-power.com
North America: www.sterling-power.usa.com



battery temp sensor



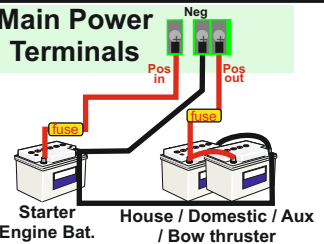
Optional Remote Instructions inside

MUST READ

For the vast majority of users (90%+) reading this paragraph should be sufficient for installation. The unit can be installed by simply installing it between an input and output battery as depicted. The unit, by default, shall start charging when the input voltage exceeds 13.6V and switch off when the voltage drops below 13.3V for more than 120s (adjustable). Going above 13.6V for 5 seconds shall reset this timer. The default charging profile is 14.4V abs. and 13.6V float-for sealed lead acid batteries. (x2 for 24V | x3 for 36V | x4 for 48V). this means that the vast amount of installations can be fitted out off the box without any adjustments.

If charging is required when your vehicle is stationary you may require lower than 13.6V input in order to activate. Please read about the **Stationary vehicle engagement mode** later in the manual.

Main Power Terminals



default mode does not require ignition feed

Please read the legal and safety information first before proceeding and we strongly advise hiring a professional to fit.

Copyright © 2016
Sterling Power
V.2.6 June 2016



RoHS compliant



› Contents Page

Legal and Safety Information	Page 3	Force Options - Device options	Page 9
How to use the instructions		Factory Reset	
Copyright and Plagiarism		Force operation without output voltage	
Maintenance and Repair		Force Float mode	
Safety and Precautions		Force Unit on / off	
Display annotations	Page 4 - 5	Force Unit to half power mode	
Front Label display annotated		Sleep timer / Off timer adjust.	
Under the lid annotation		Custom Battery Profile Selection	Pages 10 - 11
Recommended cable and fuse sizes		Customise Boost / Absorption voltage	
Quick Installation guide	Page 6	Customise Conditioning voltage	
Basic wiring diagram		Customise Float voltage	
Basic operational modes 1 2 3		Customise Absorption time factor	
Detailed Installation guide	Page 7	Customise minimum and maximum absorption times	
Operational modes 1 2 3		Customise Operational Voltages	
Installation diagram		Remote Control Operations	Page 12
Choosing the correct operational mode		Comprehensive breakdown of remote functions	
Wiring the correct operational mode		Fault Finding Troubleshooting	Page 13
First Turning the unit on	Page 8	Fundamental fault + troubleshootings	



Seite 15 Deutsch
Page 15 for German

› Product Specifications

	BB1230	BB1260	BB122470	BB123670	BB124870	BB241235	BB242435
Input Voltage (V DC)	11 - 20	11 - 20	11 - 20	11 - 20	11 - 20	22 - 40	22 - 40
Input Current (A)	30	60	70	70	70	35	35
Battery types (all models)	AGM (2) GEL (2) SEALED OPEN LiFePO ₄ CALCIUM CUSTOM						
IP rating	IP21	IP21	IP21	IP21	IP21	IP21	IP21
Ignition Protected	Yes	Yes	Yes	Yes	Yes	Yes	Yes
Quiescent Current (mA)	1	1	1	1	1	1	1
Battery Connector	WJ116VW	WJ116VW	8mm input WJ116VW output			WJ116VW	WJ116VW
Weight (Kg)	1.2	1.4	1.4	1.4	1.4	1.4	1.4
Dimensions (LxWxD) mm	190 x 160 x 50		190 x 160 x 70				

Legal and Safety

Using the Instruction Manual

This manual must be read throughout before installing this electronic device. Do not lose these instructions - keep them safe. The most up to date instructions can be found on the Sterling Power website. Please refer to the latest instruction manual before contacting Sterling. At Sterling, we endeavour to include all of the product information that we can think of into the manual.

Installation of the electronic device must be carried out by a qualified and trained personnel only. The personnel must be familiar with the locally accepted guidelines and safety measures.

Sterling Power's warranty statement

A comprehensive warranty statement is provide at the back of the instruction manual. A comprehensive warranty statement can also be found on sterling-power.com.

Copyright and plagiarism

Copyright © 2015 Sterling Power. All rights reserved. Reproduction, transfer, distribution or storage of part or all of the contents of this document is strictly prohibited. If you wish to use all of this document, or excerpts from it, Sterling Power must be contacted.

Liability

Sterling Power can not accept liability for:

- consequential damage due to use of this device
- possible errors in the manuals and the results thereof

Device modification

Please do not modify the device unless you have been instructed to do so by Sterling Power, directly. Product modification shall be done at Sterling, when needed. Warranty shall be voided if personal attempts are made to modify the device, without Sterling's approval.

Use the battery to battery charger only:

- For DC to DC conversion.
- For DC current limiting.
- With fuses protecting the DC cables.
- In a well ventilated, dry, dust-free and condensation free environment.
- When instruction manual has been read through.

Safety Symbols



CAUTION WARNING



EXPLOSION

- **Example - WARNING.** Never use the device in situations where there is danger of gas / dust EXPLOSION or potentially flammable products.

General maintenance and repair

The device must be switched off during maintenance. It must also be protected against unexpected switching off. Remove battery connections and ensure unit is off. If repair is required, only use original parts.

General safety and installation precautions

- Install device in well ventilated space. Do not expose device to: Rain, snow, spray, moisture, pollution, condensation. Do not cover or obstruct ventilation openings.
- Device connects to common negative. Common negative must be earthed.
- In case of fire use a fire extinguisher.
- Ensure reverse polarity and short circuiting is avoided - to prevent damage to battery.
- Protect DC wires with the appropriate sized fuse.
- Check cabling annually- fix where needed.
- Avoid contact with device with damp hands.
- Ensure the device is adequately and securely mounted to prevent the unit from displacement.
- Use a professional to install device.

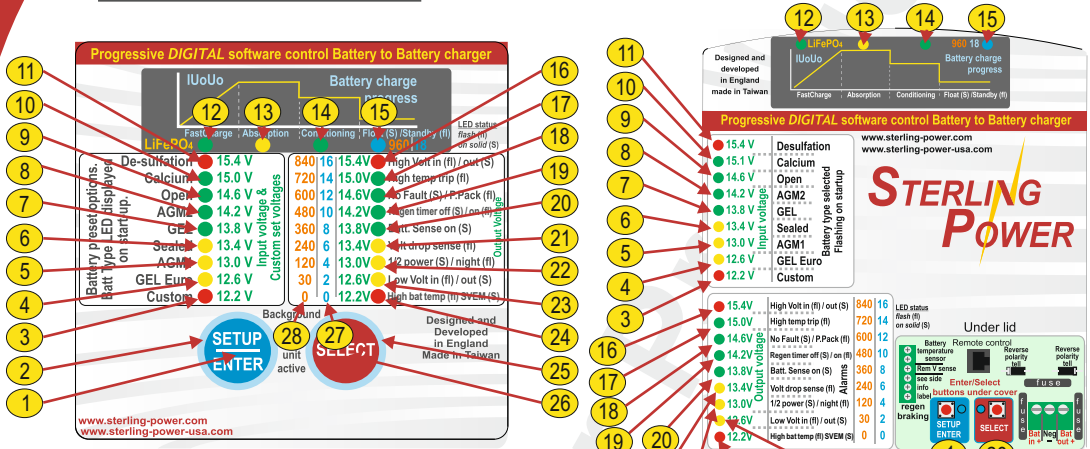
Battery safety

Excessive charge or discharge and high voltages can cause serious damage to batteries. Never exceed the recommended limits. If battery acid contacts skin or clothing, wash immediately with soap and water. If acid enters the eye(s), immediately flood the eye(s) with running cold water for 20 minutes and seek medical attention.

Give extra care to not drop metal tools or jewellery on to the battery terminals as short circuiting can take place. Refrain from charging battery up to 4 hours prior of installation to avoid the formation of explosive gases.

Never smoke / generate a spark around batteries.

Front Panel



Models:
 BB1260 / BB122470 / BB123670 / BB124870 /
 BB242435 / BB241235 / BB123670 / BB124870

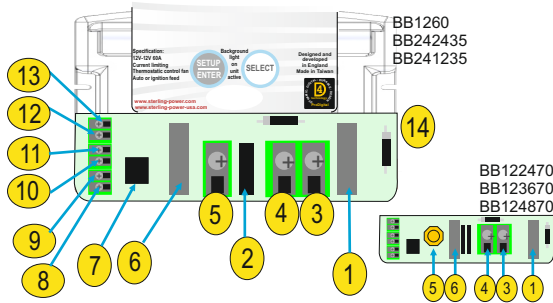
Model:
 BB1230
 BB122440

Front label display

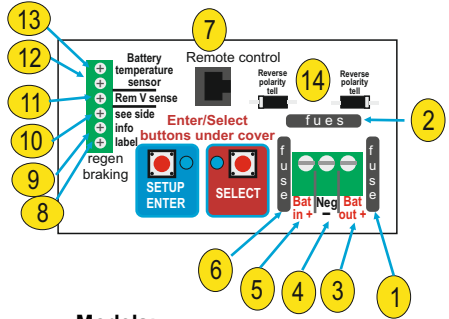
- 1 & 26) ENTER / SETUP and SELECT buttons, used to adjust settings.
- 2 & 25) Background light for button, used also to show unit is operational.
- 3)-11) The left column of LEDs have 3 different functions. Firstly, on unit start up the battery type is displayed. Secondly, after startup it becomes an input voltmeter. Thirdly, during custom setting the voltage scale is used to set the voltage - refer to later.
- 12) This LED has 3 meanings. Firstly, when on battery type selection mode this is the LiFePO₄ lithium battery indicator. Secondly, on default mode (most times) this shows the charger is on fast charge mode. Thirdly, if flashing, then the unit is in standby and was in fast charge prior to entering standby.
- 13-15) These LEDs show the battery charge progression through its cycle.
- 15) Flash when in standby.
- 16-24) Has 3 functions: Firstly, on start up they show the output voltage. Secondly, if an alarm is present the alarm shows up. Thirdly, this row is used in the custom setup procedure to set timing functions, voltages and time factors. Its general function is as an output voltmeter, in the event 2 LEDs are on the voltages is between the 2 settings, if the top or bottom red LED is on then the voltage is outside the parameters of the voltmeter.
- 16) High voltage, if on solid it is high output voltage, if flashing it is high input voltage.

- 17) High temp trip, if flashing then high unit temperature trip.
- 18) No faults (solid on). Power Pack mode / live voltage output (flashing).
- 19) No regen. mode or regen. timer at 0 = solid LED. Regen on / timer on = flashing LED.
- 20) Remote Battery sense cable connected (solid).
- 21) Battery sense voltage drop in cable outside the prescribed 1.5V drop maximum, thicker cable required - LED flashing.
- 22) Device's power ability reduced due to high ambient temperature or voltage drop in output cable to big. Alarm will be in conjunction with other information alarm. If flashing unit is in night mode with reduced power and low fan speed.
- 23) Low voltage alarm, low voltage on input = flashing LED. Input alternator not supplying enough power or failed. Low voltage output = solid LED. Something consuming a lot of power or unit not working. No voltage output then LED on solid.
- 24) If flashing then battery temperature too high. Solid LED is in **SVEM mode - Stationary Vehicle Engage Mode**.
- 27) Numbers relating to battery custom setup (if used) this is the charge factor number.
- 28) Numbers relating to custom setup mode these numbers relate to timing, i.e. maximum and minimum time settings.

Front Panel II



Models:
BB1260 / BB122470 / BB123670 / BB124870 /
BB242435 / BB241235



Models:
BB1230
BB122440

To remove lid gently press the sides in no more than about 4 mm and slide out the lid.

Under the lid

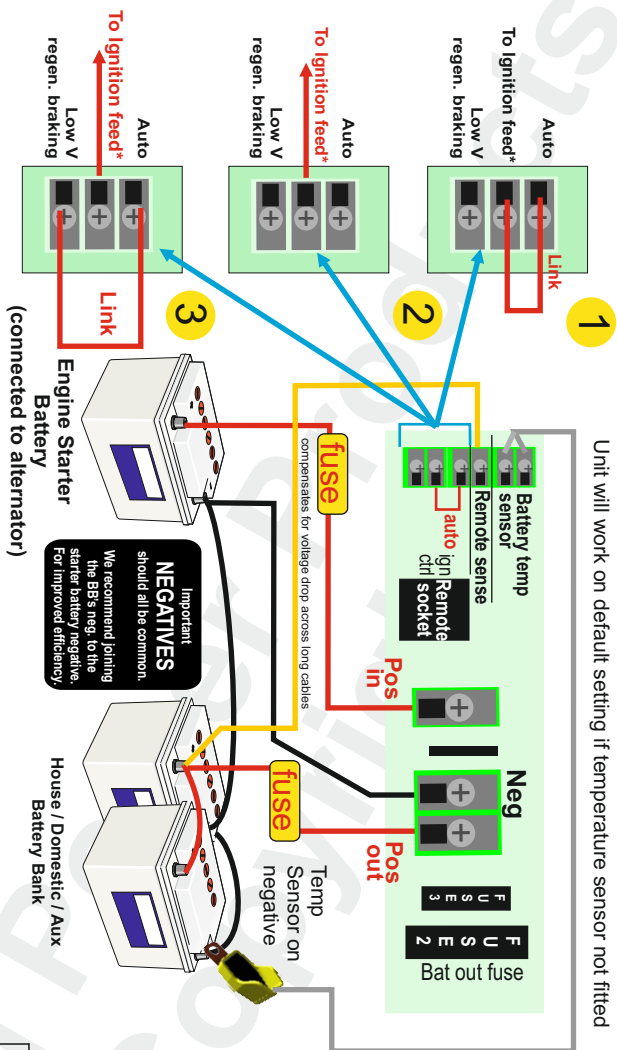
- 1) DC output fuse
- 2) Negative fuse (position, model dependent)
- 3) DC output to aux battery
- 4) Common negative
- 5) DC input from start battery (green connector or brass nut/bolt - model dependent).
- 6) DC input fuse
- 7) Remote control socket
- 8) Low Voltage (regenerative braking)
- 9) Ignition feed connector
- 10) Auto regen. mode (default w/ ign feed)
- 11) Remote battery sense wire to compensate for voltage drop in cable (optional, does not need to be used).
- 12) Battery temperature sensor, optional fit, if not used product will work on default of 20 deg C setting.
- 13) Other wire associated with the temp sensor as per 12.
- 14) Reverse polarity tell tale diodes. If damaged, will show if unit has been reverse polarity and not under warranty. Position of diodes are model dependent.

Recommended cable size for current required

The mm² figures have been rounded up to suit European cable availability.

	Recommended cable size for current required					Nominal Fuse size for input & output
20A	Distance 3m (10 ft)	5m (15ft)	7m (22ft)	8m (25ft)	9m (30ft)	30A
	mm ² / AWG 2.5 / 14	2.5 / 14	4.0 / 12	4.0 / 12	6.0 / 10	
30A	Distance 3m (10 ft)	5m (15ft)	7m (22ft)	8m (25ft)	9m (30ft)	40A
	mm ² / AWG 6.0 / 10	6.0 / 10	6.0 / 10	6.0 / 10	10.0 / 8	
40A	Distance 3m (10 ft)	5m (15ft)	7m (22ft)	8m (25ft)	9m (30ft)	50A
	mm ² / AWG 10.0 / 8	10.0 / 8	10.0 / 8	10.0 / 8	16.0 / 6	
50A	Distance 3m (10 ft)	5m (15ft)	7m (22ft)	8m (25ft)	9m (30ft)	70A
	mm ² / AWG 16.0 / 6	16.0 / 6	16.0 / 6	16.0 / 6	16.0 / 6	
60A	Distance 3m (10 ft)	5m (15ft)	7m (22ft)	8m (25ft)	9m (30ft)	80A
	mm ² / AWG 16.0 / 6	16.0 / 6	16.0 / 6	16.0 / 6	25.0 / 4	

Quick Installation



Unit will work on default setting if temperature sensor not fitted

Operational Modes

Automatic Activation

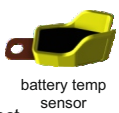
Unit on when input voltage above 13.6V (input), off below 13.3V (input). If input voltage is 13.6V - 19.0V the regen. braking timer begins. This triggers the 120 second timer which starts when the input voltage drops to between 12.0V-13.3V. The timer and voltages can be adjusted. This allows it to be used with smart alternators/ Regen, Braking.

Ignition Feed w/ regen. timer.

Same as operation mode 1. The only addition is that an ignition signal is required. If you have 13.6V+ on the input terminal with no live ignition feed then the charger is in standby and not charging.

Ignition Feed w/o timer

Requires live signal to activate/deactivate. Suitable for smart alternator / regen. braking mode. No low voltage timers, low voltage cut off is 1.5V (x2 for 24V). Be wary of battery when leaving the ignition on in this mode.



Temperature sensor battery temp sensor
Not obligatory to connect. If you wish to install, connect the temp sensor to the negative of the domestic / aux. batteries.

When temp sensor senses the temperature lower than 20Deg C the voltage shall go up on the charger's output and when the temperature is higher than 20Deg C the voltage.

Sensor shall trip the charger if the temperature of battery >55DegC

To operate the Pro Batt Ultra refer to page 7 (next page) for instructions.

Quick Guide to the buttons on the front panel. Refer to Pages 8 - 11 for in depth procedure

Press Length (seconds)	Action
<0.5	Change to status fault display.
2+	Night mode = 1/2 power for 8 hours. Repeat to revert back.
5+	Enter standby mode. Unit will sleep when input voltage drops below the set threshold. When voltage rises again, the unit resumes standby.
10+	Display software version
15+	SVEM* Stationary Vehicle Engage Mode

SVEM* Stationary Vehicle Engage Mode

Pro Batt Ultra starts charging when input is >13.1V. Turns off when input is <13.0V.

SETUP / ENTER + SELECT BUTTONS

Press Length (seconds)	Action
2+	Force unit to float. On/off toggle.
5+	Turn unit on / off toggle.
10+	Battery type select.
20+	Change Operational on/off voltages
30+	Reset unit to default.

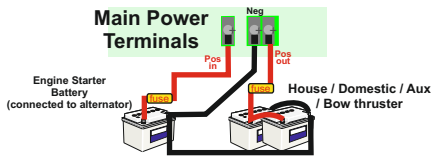
SETUP / ENTER

Press Length (seconds)	Action
<0.5	Change to Voltage display mode.
5+	Toggle between 1/2 and 1/1 (full) power.
10+	Set Auto Regen. time set.
15+	Toggle Power Supply mode (provides live output voltage)

STERLING POWER

Basic Operation / Installation

Fit in a cool dry well ventilated space. Should be installed by a competent person, conforming with the laws of the country. Connect positive cables (in red) to the terminal block, as shown below. Similarly, ensure fuses are installed and negatives are common.



Ensure the charger is wired up as depicted above (larger diagram on previous page). The Pro Batt Ultra shall light up provided it has battery voltage across the **Pos in** and **neg** terminal. During the first start up you can change the battery chemistry profile.

In default mode (1) or mode (2) the Batt Ultra shall simply turns off and goes to sleep after 60 seconds (no charging) if the input voltage has not risen above 13.6V. **WARNING**, If you have it set to mode (3) (Ignition feed, w/ Low voltage link) and the ignition is live then the charger shall charge until the input battery drops to **11.5V** (default) x2 for 24V. **VERY LOW**.

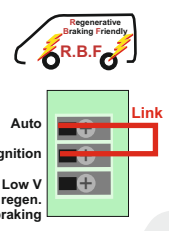
In default mode (1) or mode (2) the input voltage needs to rise to above 13.6V-19.0V (x2 for 24V) in order for the Batt Ultra to start charging. Above 13.6V, for 5 seconds, the regenerative braking timer activates (120 seconds *default*).

The charger, in default, requires a battery voltage on the positive output terminal (Pos out) in order to start boost (this can be changed). Ensure that there is battery voltage on the Pos out. If so, the charger shall start charging at the default charging profile (sealed lead acid).

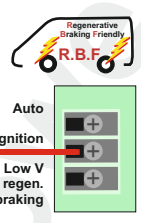
The charger shall continue to operate normally until the input voltage has dropped below 13.3V. Between 13.3V and 12.0V the unit shall remain on for 120 seconds and then turn off (provided the input voltage stays between 12.0V-13.3V). This is required to complement the regenerative braking aspect of modern Euro 5/6+ engines - where the alternator's voltage can drop below 13V for a short period of time. When the alternator's voltage rises above 13.6V the 120 second timer ends (+ reactivates the timer) and the charger remains charging.

Double all voltages for 24V, triple for 36V and quadruple for 48V.

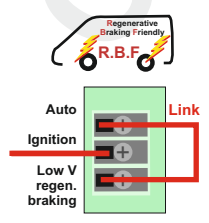
Auxiliary Control Terminals



How to connect?
Link the Auto and the Ignition terminals on the block together, as shown.



How to connect?
Connect ignition feed to the Ignition terminal. Can be any live feed.



How to connect?
Connect ignition feed to the ignition terminal. Link Auto to Low V with bridge cable.

1) Automatic activation (default setting). The most common mode, used in 99% off all installations including vehicles with Regen. braking system. This means that the unit is voltage sensitive (no ignition feed required). When the input voltage goes to 13.6V-19.0V then the unit will simply start charging. If the voltage drops below 13.3V the unit shall turn off.

However, if the input voltage exceeds 13.6V for 5 seconds the regen. braking timer is prepped and shall become active if the input voltage drops down to 12.0V-13.3V. This timer is 120s (default - can be changed) and allows the charger to continue charging at these lower input voltages. If the voltage drops below 12.0V the charger goes to sleep irrespective of the timer. If the input voltage remains between 12.0V-13.3V for over 120s the charger also goes to sleep. To wake the charger, the input voltage needs to rise above 13.6V - this shall also reset the regen. braking timer.

2) Automatic activation w/ ignition feed.

Mode 2 is identical to Mode 1. The only difference is that it requires a live signal on the ignition AND the aforementioned input voltages. For example, if you have over 13.6V on the input terminal with no live feed then the Pro Batt Ultra shall be in standby. Only once you apply the ignition feed signal the Pro Batt shall start charging. The charger turns off when you turn off your ignition. This mode is beneficial as it give you more control over when the charger operates.

3) Ignition Feed, low V w/o timer WARNING

This mode is also an ignition feed mode, with **no** regen timer. It can operate with an input of 11.5V continuously (customizable). It does not adhere to the voltage thresholds like the two modes above. The unit shall enter sleep if the voltage drops below 11.5V. It shall immediately come out of sleep if the voltage rises above 11.5V. There is no adjustable timer mode for sleep, the unit simply sleeps when the ignition is off. This mode is best suited where you want the unit to turn off the second you turn the ignition off yet have the ability to have input voltage flexibility. **WARNING** with this setting - flat batteries as the charger works down to 11.5V!

STERLING POWER

► First Time Use (when wiring up)

On first start up all LEDs will light up in a sequence. The fan shall then start running for around 12 seconds. If, after this, 2 red LEDs flash for 8 seconds you may have a calibration issue and the unit should be returned to Sterling. If 2 solid red LEDs are on at the top or bottom then you either have high or low input voltage (respectively) - check your voltages.

Changing charging profile during startup

After the initial start up an LED on the left panel shall light up for 10 seconds, this shall indicate the battery type selected - **default is sealed lead acid**. This is your window of opportunity to change the charging profile. If you have missed the opportunity, you can wait for the unit to go in to normal operation and follow the instructions at the bottom of the page or restart the device.

Hold down both buttons on the front panel (SELECT and SETUP/ENTER) for 10 seconds. All LEDs on the left column shall now flash. By using these two buttons toggle through the various profiles (see below). The right button is up the column and the left button takes you down the column. The LED shall light up demonstrating which profile you have selected. When the LED has illuminated at your desired profile simply hold both buttons for a couple of seconds or simply just leave the charger alone for 30 seconds and it will change. The chosen profile LED shall then flash. The unit shall then restart and go through the starting cycle again.

	Bulk / Abs.	Cond.	Float	Min	Abs.	Max
Options	Volts	Volts	Volts	Mins	Mins	
1) Gel I	14.00	13.85	13.70	60	600	
2) AGM I	14.10	13.75	13.40	60	480	
3) Sealed	14.40	14.15	13.60	120	480	
4) Gel II	14.40	14.00	13.80	720	1440	
5) AGM II	14.60	14.10	13.70	60	480	
6) Open	14.80	14.00	13.30	60	480	
7) Calcium	15.10	14.30	13.60	60	360	
8) De-sulphation	15.50			240	240	
9) LiFePO ₄	14.40	13.80	13.80	30	30	
10) Custom	Custom Charging Profile					

If battery/temperature sensor is connected then all voltages are based on 20 Deg C. If sensor senses less than 20DegC = increased voltage. Higher than 20DegC = decrease voltage. The further from 20DegC in either direction leads to proportional increase or decrease in the voltage. (x2 for 24V) (x3 for 36V) (x4 for 48V)

Changing charging profile during operation.

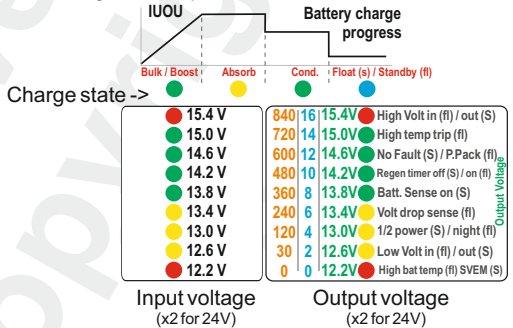
While the unit is running, simply hold down the SETUP and SELECT buttons for 12-15 seconds and let go. The LEDs on the left column shall light up. The procedure hereafter is the same as above.

After unit has gone through its startup sequence the LEDs displayed should be the input voltage on the left column and the output voltage on the right column. Also, the top left LED (number 12) should be on solid which is the fast charge (bulk) LED.

Note - if you can only see LEDs on the right column the chances are you are in an error mode. This could be down to: Very low output voltages (<5V), no output connection, reverse polarity or the device is not detecting a valid operational mode as the connector wire is either not connected or the connection configuration is wrong. Please refer to previous page.

Left and right meter readings.

During normal operation



Out of range voltage values

If voltage exceeds the meter's range the upper right LED shall flash. If the voltage falls short of the meter's range the lower LED shall flash. If two neighbouring LEDs, on the voltmeter, are on simultaneously then the real voltage is between these two parameters. Example, if LEDs at 14.6V and 14.2V were on then the approximate voltage shall be ~14.4V.

Low or high output voltages

If the output voltage is below 5V (10V at 24V) or reverse polarity then the low output voltage LED will flash (number 23). Similarly, if the output voltage is above 15.5V (31.0V at 24V) the high voltage LED shall flash (number 16). To resurrect these problems, bring the voltage above 6V on the output and below 15.5V, correct the polarity and then restart the device.

***Lithium profile has reverse polarity protection disabled. **All voltages shall be 0.1V higher for the first 3 minutes of the chargers operation.**

Remember it is the voltages which are more important than our battery types. After installation test the voltage from the unit is the desired voltage. **Ensure you remove at least 1 wire from the battery temperature sensor as the product voltage may be higher (if in cold climate) or lower (if in warm climate) than the preconceived voltage.** The voltage requirements of the battery company will override our recommendations as it is them who are supporting the battery warranty.

Return to factory default: This shall irreversibly erase all previously entered settings. Press and hold both buttons for 30 seconds+ and let go. The LED columns shall alternatively flash. To confirm factory default press BOTH buttons again for 2 seconds. Once confirmed, 3 green LEDs on the left and right shall flash. Then, LEDs on the front panel shall light up in a clockwise pattern. The unit should then reboot with the default settings. To reject factory default settings, simply let the LED columns continue alternatively flashing.

To view charger's status:

Simply hold the SELECT button for 1 second and the right LED should flash indicating the status of the charger. This shall flash for 8 seconds. To return quickly, press the SETUP/ENTER button once.

Force unit to operate without output battery connected (i.e. as a power pack / live output).

This mode shall allow the unit to operate without needing a voltage on the output terminal. Hold down SETUP/ENTER button for 15+ seconds and let go. The boost, absorption and float LEDs shall flash. A green LED (18) on the right panel should appear and this indicates that voltage check is on (default mode) to change it to off press the SELECT button and a red LED (24) below should turn on. With the red LED on the unit shall now operate without the need for an output voltage. Press both buttons together to save this setting or wait 30 seconds for the unit to reboot.

On reboot, the HIGH BATT TEMP LED(24) comes on for 10 seconds to confirm power pack mode.

Force Float :

Before accessing float mode please be sure you know what float mode is and what voltage float mode is for your profile. Simply hold both buttons down for 2 seconds and let go. This will lock the charger into float (BLUE LED - top right - number 15 shall come on). The charger shall now remain in float and resume bulk/absorption on restarting. To force the unit out of float repeat the procedure.

Force unit off / on :

This shall deactivate the unit, output goes to 0.0V. Hold both *setup* and *select* buttons for 5 - 9 seconds. Left column LEDs shall turn off. The NO FAULT (solid) and Auto Mode (solid) LEDs shall be on. The unit will remain off, even with normal engine cycling on and off (although if the unit is disconnected from the input battery then it will resume normal operation on re-connection). To turn the unit back on, hold the 2 buttons for 5-9 seconds. *When OFF, the user can not access charger's normal functions.*

Force unit to ½ power (stays on until unit is turned off):

This will reduce the units power by about 50%. Hold *setup* button only for 5-9 seconds. To confirm the power reduction LED shall flash 5 times. This function will help reduce noise in the long term. To return to full power, press the setup button again for 5-9 seconds.

Force unit to ½ power / low speed fan for 8 hours only (night mode):

This will reduce the unit's power by around 50% for about 8 hours. **Hold select button only for 2-4 seconds**, power reduction shall be confirmed when the 1/2 power and night LED flashes 4 times. This function will help reduce fan noise in the short term, in the evenings, for example. The unit will revert back to full power after 8 hours automatically. Please note that night mode has to be set every single time you wish to use it. It can **NOT** be set to come on at a certain time daily.

Force Options

Regen timer adjustment: default 2 minutes (Regen low voltage timer time).

The default auto Regen time is 120 sec. = 2 min. The timer is prepped at 13.6V-19.0V on the input. If the input voltage then falls below 13.3V (x2 for 24V) the auto regen timer starts to count. If the voltage does not rise above 13.6V the timer will not reset and the unit will switch off, however, as soon as the voltage rises above 13.6V the auto regen timer will automatically reset to the set value (default = 120sec).

To deactivate the auto regen mode set the auto regen time to 0 seconds.

By pressing the **Setup / Enter** only button for more than 10 seconds you will enter the Auto Regen Time Setup. During the whole Auto Regen Setup the "Absorption" LED will flash.

1. Absorption LED flashing and actual saved auto Regen time will be displayed on the right bar. Use the 0 to 840 scale. If the unit is out of the factory the 120 (default) should be displayed.
2. Press right button to increase or left button to decrease value.
3. To deactivate the auto regen function set timer value to 0. When happy with your choice either wait 30 seconds or press both buttons at the same time for 2 seconds.
4. Absorption LED, AGM II and Auto Mode LEDs will flash 10 times to confirm value saving.
5. Unit will restart with new Auto Regen time as default and will remain there until changed again.

Important: If you have changed the cutoff voltage remember that the auto regen counter reset **functions must see 0.3V on top of the new cutoff voltage.**

I.e. You set the new cut off voltage at 14.0V. To reset the Auto Regen timer the voltage must rise above 14.3V.

SVEM - Stationary Vehicle Engage Mode.

If your usage pattern is mostly stationary, e.g. You are at the side of the road and you start the vehicle just to run an inverter - the problem is that the vehicle's alternator may only be at 13.3V (and not give a high voltage boost) and stay there, in this case the Pro Batt Ultra would not engage as it needs greater than 13.6V to start. The ideal solution is to have fitted the ignition feed mode (as per explained in these instructions). However, if the auto mode was used and the ignition feed had not been installed then you could use the **Stationary vehicle engagement mode.**

This mode allows the product to engage at a much lower voltage (13.1V) and disengage below (13.0V). To select this mode: Press SELECT button for 15+ seconds and let go, No Fault LEDs should be on solid and the Regen timer LED should be solid. To remove this setting then do the same again.

Warning: the Stationary Vehicle Engage Mode setting is operating the unit at voltages which may cause problems in the winter to the starting of the vehicle - please bear this in mind we do not have enough history with this setting to make any guarantees that it shall complement winter conditions - as low voltages could cause vehicle starting problems.

Custom Settings

CUSTOM BATTERY TYPE SETTING (for expert use only - not required for general operation)

Before proceeding with this, please read and understand all instructions as it is quite complex and could take more than one attempt. There are timed intervals of 30 seconds per setting so it is very important to know exactly what you require before starting. If any errors are made simply wait a few minutes and you can start the cycle again. The settings offered for adjustment in sequence:

A) Boost / absorption voltage (high voltage charge).

B) Conditioning voltage (medium charge rate normally between boost and float voltage).

C) Float voltage (no longer charging, this will provide voltage at a reduced level to maintain the batteries and provide power for any loads applied).

D) Absorption time factor adjust. The length of time spent in absorption can be adjusted by a factor 0-16. This may be beneficial for different battery chemistries. Gel, for example, tends to absorb current at a low rate, thus, increasing the length of time spent in absorption may be beneficial (set nearer 16). AGM, the reverse (set nearer 0). If in any doubt, ask your battery retailer or simply use one of our preset values. To calculate the absorption time from the time factor simply multiply the factor number (0-16) by 60 and this give you the time in minutes. E.g. set to 0 and the absorption time shall be $0 \times 60 = 0$ minutes. Therefore, the unit shall go direct from bulk to conditioning (no absorption). Alternatively, set the factor to 10. This equates to $10 \times 60 = 600$ minutes etc... The maximum time the unit can stay in absorption is 24 hours 1440 minutes.

E) Minimum and maximum absorption times.

Here you can set the maximum and minimum time the unit stays in absorption. For example, you may have AGM that may need a maximum of one hour, or GEL which could require a minimum of 720 minutes (12 hours).

We recommend that you write down your required voltages and times in the space below. This is so you know what to programme during setup.

Desired custom values - make a note.

Boost / bulk / absorption (V) _____
 Conditioning (V) _____
 Float (V) _____
 Absorption Time Factor (0-18) _____
 Absorption Minimum (0-960 minutes) _____
 Absorption Maximum (0-960 minutes) _____

Operation

Press and hold both buttons for 20+ seconds.

All Left LEDs shall flash

Press the setup button to move LED down to custom. Hold both buttons for 2 seconds to confirm.

Opportunity to adjust Fast Charge / Bulk / Absorption voltage.

Red Custom LED will flash for 3 seconds to confirm.

Red Custom LED will come on constant, Green Fast Charge LED will flash (section 1 on graph). Adjust Fast Charge voltage by using the Select and Setup buttons to go up and down the right LED column to select the correct Fast Charge voltage. Once content, wait 30 seconds, or press both buttons to confirm. The unit shall then proceed to Conditioning charge voltage (next below).

Opportunity to adjust Conditioning charge voltage

Red Custom LED will come on constant and Green Conditioning LED will flash (section 3 on graph).

Likewise, adjust the conditioning voltage by using the Select and Setup buttons to go up and down the right LED column to select the correct Conditioning voltage. Once content, wait 30 seconds, or press both buttons to confirm. The unit shall then proceed to float voltage set (next below).

Opportunity to adjust float charge voltage

Red Custom LED will come on constant and Blue Float LED will flash (section 3 on graph). Likewise,

adjust the float voltage by using the Select and Setup buttons to go up and down the right LED column to select the correct Float voltage. Once content, wait 30 seconds, or press both buttons to confirm. The unit shall then proceed to float voltage set (next below).

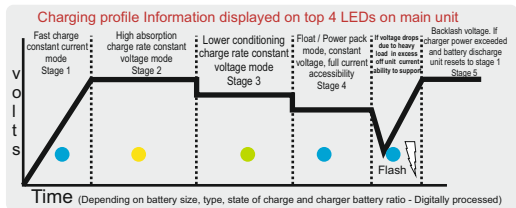
Opportunity to adjust absorption time factor

Red High Temp LED will come on constant. Green Fast Charge LED will flash and Blue Float LED will flash (section 1 and 4 on graph). This time, adjust the time by using the Select and Setup buttons to go up and down the right LED column (refer to the blue scale

scale 0-18) to select the correct time. Once content, wait 30 seconds, or press both buttons to confirm. The unit shall then proceed to minimum absorption time factor (next below).

Why use Absorption Time Factor (ATF)?

ATF is simply a number (0-18) that can be used to multiply by the length of time the charger takes to reach the bulk/boost voltage from start. For example, if the bulk voltage is reached in 10 minutes with the ATF at 4, then $10\text{mins} \times (\text{ATF } 4) = 40$ mins of absorption.



Opportunity to adjust minimum absorption time factor

Red High Temp LED will come on constant. Yellow Absorption LED will flash and blue Float will flash (section 2 and 4 on graph). This time, adjust the time by using the Select and Setup buttons to go up and down the right LED column (refer to the brown scale 0-960) to select the correct time. Once content, wait 30 seconds, or press both buttons to confirm. The unit shall then proceed to maximum absorption time factor (next below).

Opportunity to adjust maximum absorption time factor

Red High Temp LED will come on constant. Green Conditioning LED will flash and blue Float will flash (section 3 and 4 on graph). This time, adjust the time by using the Select and Setup buttons to go up and down the right LED column (refer to the brown scale 0-960) to select the correct time. Once content, wait 30 seconds, or press both buttons to confirm.

A green LED from the middle of each row will flash for around 8 seconds to confirm the setup is completed. The unit will then restart.

Adjustment of operational voltages.

The 4 main control voltages below are inextricably linked. The voltages can only be adjusted as a block (not individually). For example, if you wish to reduce the Cutoff voltage by 0.2V then all other voltages in the block shall reduce by 0.2V.

	Input voltage	
Charging voltage	13.6V	All 4 voltages are always linked. This block can be adjusted by changing the Cutoff voltage value up and down. This subsequently changes the other three voltages by the same value.
Cutoff voltage	13.3V	
↕ regen braking timer		
Lower voltage trip	12.0V	
Low voltage trip (Mode 3)	11.5V	

During this particular setup procedure we have made the voltage setup LED bar more sensitive so that the adjustment can be made in 0.1V increments. For example, for 13.1V the 13V LED is on and the 13.4V LED is flashing. The same idea for 12.9V. The 13V LED is on and the 12.6V LED is flashing. Remember that you are adjusting the Cutoff voltage whilst simultaneously adjusting the Charging voltage, Lower voltage trip and the Low voltage trip.

13.4V	13.4V LED ON
13.3V	13.4V LED ON + 13.0V LED FLASHING
13.2V	13.4V LED ON + 13.0V LED ON
13.1V	13.4V LED FLASHING + 13.0V LED ON
13.0V	13.0V LED ON
12.1V	12.2V LED FLASHING
12.0V	12.2V LED FAST FLASHING

Charging voltage (default 13.6V) (always 0.3V above Cutoff voltage): At this voltage the charger starts charging. After 5 seconds above 13.6V the regen braking timer is set. If the input voltage drops to 12.0V - 13.3V this timer begins. Timer reset when input voltage is 13.6V+.

Cutoff voltage (default 13.3V): This voltage is only relevant after the charging voltage has been met and the charger is charging. When the input voltage drops below this cutoff voltage the charger stops charging and shall eventually go to sleep. If the input voltage remains between 13.3V-13.6V the charger shall continue charging. The Cutoff voltage is the parameter that the user changes. As noted, by adjusting the Cutoff voltage you change the other three voltages mentioned by the same amount.

Lower voltage trip (default 12.0V) (always 1.3V below Cutoff voltage): When the input voltage drops below the Lower voltage trip the charger turns off. The 12.0V threshold is only relevant if the regen braking timer is activated. If not, then the low voltage trip is 13.3V. If in mode 3, the low voltage trip is 11.5V.

Low voltage trip (default 11.5V) (Mode 3) (always 1.8V below Cutoff voltage): Only when in operation mode 3 does the Pro Batt Ultra work down as low at this voltage.

To enter the menu press (SETUP/ENTER) & SELECT for more than 20 seconds.

BOOST, ABSORPTION, CONDITIONING and FLOAT LEDs will flash to indicate Cutoff voltage Setting Menu. At the same time the actual Cutoff voltage will be displayed in the left LED voltage bar according to the description above. To decrease voltage press SETUP/ENTER and to increase voltage press SELECT button.

The Cutoff voltage range you can choose is between 12.0V-14.6V.

Charging voltage is always 0.3V higher. Lower voltage trip is always 1.3V lower. Low voltage trip (Mode 3) is always 1.8V lower.

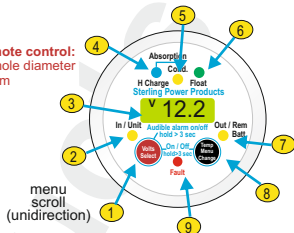
If you do not touch any buttons for 30 seconds the default voltage of 13.3V shall be restored and saved.

To confirm your custom voltage you must press both buttons (SETUP/ENTER) and (SELECT) simultaneously for 2 seconds.

The chosen voltage will be saved and the unit will restart. If you feel unsure do not touch any buttons. The default value will be restored automatically.

- 1) Volts select button.
- 2) Voltage displayed is voltage into product.
- 3) LCD screen with backlight.
- 4) Fast charge led indicator.
- 5) Condition battery stage.
- 6) Charge complete on float.
- 7) Voltage displayed is volts out of product.
- 8) Scroll menu button.
- 9) Screen display showing a unit fault.

Remote control:
cut hole diameter
54mm



Volts Select Button (left)



Quick push = back light on.
Short press ~1 second = input voltage, press again for output voltage, press again for remote sense voltage.

Hold for 4 seconds to toggle between buzzer on/off, **bu2** should appear.

Both Left and Right buttons



Hold both buttons for 2 seconds to force to float **FtF**, toggle on / off.

Press and hold both buttons for 4 seconds to enter standby mode, **Stb** should appear. Repeat to turn unit on.

Press and hold both buttons for 6 seconds to turn unit off. **oFF** shall appear. Repeat to turn unit on.

Temp Menu Change (right button)



Quick press = back light on.
Short hold ~1 second = switch between unit's temperature and temperature sensor. If **nc** appear it means that the temperature sensor is not connected.

Hold for 2 seconds to toggle night mode on / off, **nn** should appear. 1/2 power for 8 hours.

Remote Error Codes

- E00** = high input voltage
- E01** = high output voltage
- E02** = high unit temp
- E03** = high batt. temp
- E04** = no output voltage

Setup - Menu:

to escape menu hold both buttons down until 'END' appears. Or, just leave the remote for 10 seconds.

Toggleing is unidirectional

"rt" displays remaining absorption or conditioning time Press "select" button to see value.

"btY" displays battery profile type (0-9). This number denotes which charging profile the charger is set to. Press "select" to see value. (Ref: table labelled 'Battery Chemistry Selection' on).

"coU" displays input cut off voltage (the voltage at which the unit stops charging) (13.4V). Press "select" to see value.

"loU" display input / output base voltage (12/24V). Press "select". First input voltage will be displayed with "in" LED on for 3 sec. then output voltage with "out" LED on for 3 sec.

"c/F" change from celsius to fahrenheit or back* (default = celsius). Press "select" button to enter setting. Then press right button to change between Fahrenheit (FAH) and Celsius (CEL). Confirm setting by pressing "select" button.

"CL" set current limit to 1/2 or 1/1 (full). Press "select" button to see actual setting. Press "change" (right) button to change setting. Press "select" to confirm setting.

"buC" turn Buzzer on / off* (default = on). Press "select" to see actual setting. Press "change" button to change between settings. Press "select" again to confirm setting

"Asc" Autoscroll on / off (default = off). Press "select" to see actual setting. Press "change" button to change between settings. Press "select" again to confirm setting.

"Von" Voltage / temp display during standby and sleep. Toggle between on and off, press "select" (left) button to select.

"con" change contrast* value from 0 to 7 (default = 3). Press "select". First the lowest and the highest value will be displayed. Then the actual value. Press "change" button to change settings. Press "select" again to confirm setting.

"bLc" change backlight colour*. off <- auto -> green -> red -> blue (default = auto). Press "select" to see actual setting. Press "change" button to change between settings. Press "select" again to confirm setting.

"bLt" change backlight time*. 1 - 600 seconds, 0 = always on, (default = 60). Press "select". First the lowest and the highest value will be displayed. Then the actual value.

"br9" change remote display colour red to green voltage threshold.* 8.0V-13.3V (default 12.4V). When below 12.4V display is red and when 12.4V or above the remote goes green. When Press "select". First the lowest and the highest value will be displayed.

Hold button for 4 seconds to enter the Setup Menu - "rt" shall appear.

Then the actual value. Press "change" button to increase value. Hold "change" button to accelerate. When max. value reached it will start with lowest value. Press "select" again to confirm setting. Press "change" button to increase value. Hold "change" button to accelerate. When max. value reached it will start with lowest value. Press "select" again to confirm setting.

"b9b" change voltage from green to blue backlight* 12.4 - 16.0V (default 13.4V). Press "select". First the lowest and the highest value will be displayed. Then the actual value. Press "change" button to increase value. Hold "change" button to accelerate. When max. value reached it will start with lowest value. Press "select" again to confirm setting.

"Led" change LED on time 1 - 600 seconds, 0 = always on, (default = 60). Press "select". First the lowest and the highest value will be displayed. Then the actual value. Press "change" button to increase value. Hold "change" button to accelerate. When max. value reached it will start with lowest value. Press "select" again to confirm setting.

"uid" display Unit ID. Press "select". Value will be displayed for 5 sec.

"uSW" display unit software version. Press "select". Value will be displayed for 5 sec.

"rSW" display remote software version. Press "select". Value will be displayed for 5 sec.

"Loc" Unit lock code = 1 to 999 (default = 00 = unlocked).

WARNING This mode shall lock menu setting options of the unit by virtue of a pass code, be careful. Press "select" to enter "Loc" setting. Press "change" button to increase value, hold to accelerate. Stop when on the number you require and press "select" button to confirm. The software shall store this number, then the display shall read: **loc -> on -> #**. # = number you have stored. To remove **Loc**, return to **loc** and re-enter the number, Press "select" button and the display should read: **loc -> off** (green back light). **Please make a note of this loc code here: _____.**

"rSt" Resets remote to default values*. Press "select". "NO" will be displayed. Press "change" to toggle between "YES" and "NO". Confirm by pressing "select". rSt will display if resetting.

"rSu" Resets the battery charger to default settings. Press "select". "NO" will be displayed. Press "change" to toggle between "YES" and "NO". Confirm by pressing "select". rSt will display if resetting.

► Fault Finding | Troubleshooting

Firstly, ensure the Pro Batt Ultra (BB) is wired up as per page 7. Ensure negatives are common and the BB charger's negative is connected to the starter battery's negative - avoid connecting to chassis negative. Voltages between common negatives should be ~0V.

Secondly, to test the BB, remove (or turn off) any secondary charging source like AC to DC battery chargers or solar chargers going to the battery banks. Leave the primary charger connected (alternator) - ensure alternator is working. We also recommend turning off any loads (inverters etc.).

How to test if the Pro Batt Ultra (BB) is charging:

With engine running (alternator charging), what is the voltage on the input terminal of the BB? What is the voltage on the output terminal of the BB? Measure these voltages at the BB's terminals, not at the batteries terminals.

Even though, by default, the BB can work down at 12.0V on the input; it still requires over 13.3V+ to turn on and get going. If you are getting alternator voltage at the input terminal (~14V) and 14V+ on the output terminal the chances are your BB is working fine. If little to no current is passing through the charger at these voltages then the batteries are either full or they are deceased. If the output voltage is between 13V-14V (but rising) then you could have a situation where the output batteries were very low in charge (or large in capacity) and the charger shall be charging at maximum current. Provided the voltage continues rising the BB is charging.

If your output voltage is less than 13V and your input voltage is healthy, it could be three things:

- 1) You have a large load on your output bank - turn load off.
- 2) The BB has been turned off - hold SETUP/ENTER + SELECT button for 5 seconds and let go, to turn on again.
- 3) The BB is not working.

If your input voltage is less than 13V, it could be several things:

Automotive: Your alternator's voltage is at less than 13V (the alt. is regenerative braking mode - sometimes expected on modern Euro 5/6+ engines) - take vehicle for drive and measure alternator's voltage and set up the BB to suit these needs. All vehicle manufactures have their own software / characteristics for regen. braking.

Automotive or Marine: If your alternator's voltage is ~14V then check continuity between the alternator's B+ terminal and the starter battery. If you are getting ~14V on starter battery then check continuity between starter battery and BB input terminal.

Automotive or Marine: If your alternator's voltage is 0-13V (starter battery voltage) then alternator may have failed. Or, requires increase rpm of engine, possible belt slip.

Is your output voltage slightly higher or lower than expected - even with no loads / chargers on?

Check if you have the temperature sensor connected. If so, no problems leaving it there, it is simply voltage compensating for when the temperature at the sensor is lower or higher than the benchmark 20DegC (69F). If lower, then the voltage shall rise and vice versa. The further from 20DegC in either direction leads to proportional increase or decrease in the voltage.

Possible, voltage drop across long cabling / fuse holder / diode. Use our remote sense connection on the unit - refer to page 6, yellow wire.

LED 16 flashing red - over voltage on input. This LED comes on if there is 19V for more than 3 seconds on the input terminal. Check the voltage at the input. Possible regulator fault, or alternative charger's voltage is too high.

LED 16 solid red - Over voltage output. There is 16V+ for more than 3 seconds on output terminal. Check the voltage at the output. Turn charger off, if voltage drops when off and rises again when turned on the possible charger fault. If 16V+ irrespective of charger being on then check alternative charging source.

LED 17 flashing red - over temperature. Unit has become too hot and switches off. Possible defective fan. Or, high ambient temperature, ensure good ventilation or the charger's vents may be blocked

LED 21 flashes yellow - high voltage drop across output cable. When the battery voltage sensor is connected the device has detected too high a voltage drop between the output and the positive terminal of the battery (>1.5V). Verify that the cable thickness is sufficient. Possibly the terminals are corroded or bad connection. Also check if the cable is actually connected to the battery.

LED 22 solid yellow or flashing - the charger is in 1/2 power. It has either been manually forced into 1/2 power mode or night mode (refer to page 9). Or, the charger has engaged 1/2 power mode itself due to the device's temperature (> 85°C). In this case, check the fan and the ambient temperature. Possibly the installation is not properly ventilated. Make the adequate ventilation.

LED 23 solid yellow or flashing - undervoltage. If the LED flashes, the input voltage is too low. Check the alternator or the charging source of the starter battery. If the LED is solid, the output voltage is very low - output batteries are likely to be defective.

LED 24 flashing red - high battery temperature. The unit has shut down due to excessive battery temperature (> 55°C). Either the battery is defective or the ambient temperature is too high. Provide adequate ventilation.

Customer Service & Warranty

Your 100 % satisfaction is our goal. We realise that every customer and circumstance is unique. If you have a problem, question, or comment please do not hesitate to contact us. We welcome you to contact us even after the warranty and return time has passed.

Product Warranty:

Each product manufactured by Sterling Power comes with at least a 2 year limited factory warranty. Certain Products have a warranty period of time greater than 2 years. Each product is guaranteed against defects in material or workmanship from the date of purchase. At our discretion, we will repair or replace free of charge any defects in material or workmanship that fall within the warranty period of the Sterling Power product. The following conditions do apply:

- **The original receipt or proof of purchase must be submitted to claim warranty. If proof cannot be located a warranty is calculated from the date of manufacture.**
- **Our warranty covers manufacture and material defects. Damages caused by abuse, neglect, accident, alterations and improper use are not covered under our warranty.**
- **Warranty is null and void if damage occurs due to negligent repairs.**
- **Customer is responsible for inbound shipping costs of the product to Sterling Power either in the USA or England.**
- **Sterling Power will ship the repaired or warranty replacement product back to the purchaser at their cost.**

If your order was damaged in transit or arrives with an error, please contact us ASAP so we may take care of the matter promptly and at no expense to you. This only applies for shipping which was undertaken by our company and does not apply for shipping organised by yourself. Please do not throw out any shipping or packaging materials.

All returns for any reason will require a proof of purchase with the purchase date. The proof of purchase must be sent with the returned shipment. If you have no proof of purchase call the vendor who supplied you and acquire the appropriate documentation.

To make a claim under warranty, call our customer care line at (USA 1-(207)-226-3500, England 01905 771771). We will make the best effort to repair or replace the product, if found to be defective within the terms of the warranty. Sterling Power will ship the repaired or warranty replacement product back to the purchaser, if purchased from us.

Please review the documentation included with your purchase. Our warranty only covers orders purchased from Sterling Power. We cannot accept warranty claims from any other Sterling Power distributor. Purchase or other acceptance of the product shall be on the condition and agreement that Sterling Power USA LLC and Sterling Power LTD shall not be liable for incidental or consequential damages of any kind. Some states may not allow the exclusion or limitation of consequential damages, so, the above limitations may not apply to you. Additionally, Sterling Power USA and Sterling Power LTD neither assumes nor authorizes any person for any obligation or liability in connection with the sale of this product. This warranty is made in lieu of all other obligations or liabilities. This warranty provides you specific legal rights and you may also have other rights, which vary from state to state. This warranty is in lieu of all other, expressed or implied.

Sterling Power Products Ltd
England
www.sterling-power.com

Sterling Power USA
Warranty Service Center
www.sterling-power-usa.com

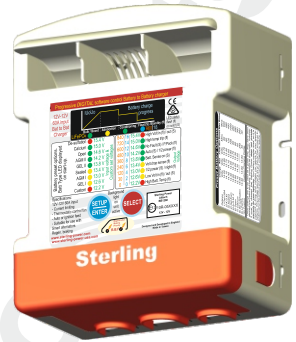
STERLING POWER

Pro Batt Ultra Batterie-zu-Batterie-Ladegerät

BEDIENUNGSANLEITUNG

Bestell-Nr:

BB1230	12V 30A -> 12V
BB1260	12V 60A -> 12V
BB122470	12V 70A -> 24V
BB122440	12V 40A -> 24V
BB123670	12V 70A -> 36V
BB124870	12V 70A -> 48V
BB242435	24V 35A -> 24V
BB241235	24V 35A -> 12V



Test Report

Jedem Gerät liegt ein Testreport bei.
Bewahren Sie diesen Report auf.
Der Testreport wird im Falle eines Garantieanspruchs benötigt und muss mit dem Gerät zurückgeschickt werden.

Für aktuelle Informationen:

Europe: www.sterling-power.com

North America: www.sterling-power.usa.com

UNBEDINGT LESEN!

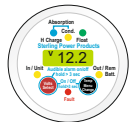
Dieses Gerät hat viele Funktionen und es erscheint eventuell langweilig, das Gerät zu installieren und einzustellen.

Für 90% aller Anwendungen ist dieses auch nicht nötig. Schließen Sie das Gerät gemäß der rechten Skizze an. Das Gerät schaltet automatisch ein, sobald die Spannung am Eingang über 13,6V (27,2V) steigt und lädt bis zu einer Spannung von 13,3V am Eingang. Liegt die Eingangsspannung für mind. 5 Sekunden über 13,6V, schaltet der Rekuperationstimer ein. Fällt anschließend die Spannung, wird bis zu einer Spannungsgrenze von 12,0V für 120 Sekunden geladen. Ist anschließend die Spannung < 13,2V für mind. 60 Sekunden, geht das Gerät in den „Schlafmodus“. Die Ladespannung beträgt 14,4V (28,8V) was für die meisten Batterien korrekt ist. Standardeinstellung ist für automatische Rekuperation (EURO 6).

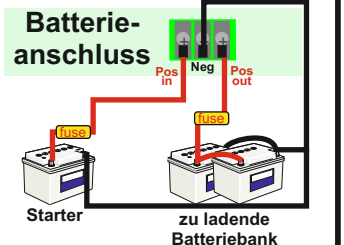
Lesen Sie unbedingt die Sicherheitshinweise und allgemeinen Bedingungen! Auch empfehlen wir Ihnen die Installation durch einen Fachbetrieb durchführen zu lassen.



Batterie-Temperatur-Sensor



Optionale Fernbedienung



› Inhaltsverzeichnis

Hinweise und Sicherheitsinformation	Seite 3
Benutzung dieser Anleitung	
Copyright	
Wartung und Reparatur	
Sicherheit und Vorsichtsmaßnahmen	
Beschriftungs-Erklärung	Seite 4 - 5
Vordere Beschriftung	
Beschriftung unter dem Deckel / Techn. Daten	
Empfohlene Kabelstärken und Sicherungen	
Schnell- Installationshilfe	Seite 6
Standard Anschluss Skizze	
Basis Operations-Modus	
Ausführliche Installationshilfe	Seite 7 - 8
Installations-Diagramm	
Montage	
Der korrekte Anschluss	
Einstellungen	Seite 9
Batterieprofil ändern	
Individuelles Batterieprofil erstellen	
Weitere Einstellungen	Seite 10 - 11
Fehleranzeigen und mögliche Ursachen	Seite 11
Ladekennlinie, Batterieprofile + Sensor	Seite 12
Fernbedienung	Seite 13 - 14
Pflege, Wartung und Garantie	Seite 15

› Spezifikation

	BB1230	BB1260	BB122470	BB123670	BB124870	BB241235	BB242435
Eingangsspannung VDC	11 - 20	11 - 20	11 - 20	11 - 20	11 - 20	22 - 40	22 - 40
Eingangsstrom A	30	60	70	70	70	35	35
Batterieprofile	AGM (2) GEL (2) SEALED OPEN LiFePO ₄ CALCIUM CUSTOM						
IP rating	IP21	IP21	IP21	IP21	IP21	IP21	IP21
Entzündungsschutz	Ja	Ja	Ja	Ja	Ja	Ja	Ja
Energiesparmodus (mA)	1	1	1	1	1	1	1
Gewicht kg	1,2	1,4	1,4	1,4	1,4	1,4	1,4
Maße mm	190 x 160 x 50			190 x 160 x 70			

Über diese Anleitung

Diese Bedienungsanleitung muss vor der Installation des Gerätes gelesen werden. Verlieren Sie diese Anleitung nicht und verwahren diese an einem sicheren Platz. Eine aktuelle Form dieser Anleitung kann auf unserer Webseite gefunden werden. Bevor Sie uns bzgl. einer Frage kontaktieren, sehen Sie bitte nach, ob Sie die aktuelle Anleitung vorliegen haben.

Die Installation sollte von einem qualifizierten Fachmann/-frau ausgeführt werden, der/die sich mit den gültigen Vorschriften auskennt.

Sterling Power's Garantieverprechen

Eine ausführliche Erklärung zur Sterling Garantie können Sie auf der letzten Seite finden. Auf unserer Webseite „www.sterling-power.com“ können die aktuellen Garantieerklärungen eingesehen werden.

Copyright und Abschriften

Copyright © 2015 Sterling Power. Alle Rechte sind in unserem Eigentum. Vervielfältigung, Auszug und Digitalisierung ist verboten. Wenn Sie Teile dieser Anleitung verwenden möchten, kontaktieren Sie uns.

Haftung

Sterling Power haftet nicht für:

- Folgeschäden aufgrund der Nutzung / des Gebrauchs dieses Gerätes
- möglichen Fehlern in der Anleitung oder deren Folgen

Veränderungen

Das Gerät darf nicht verändert, modifiziert oder eigenständig repariert werden. Bei jeglicher Veränderung des Gerätes erlischt der Garantieanspruch.

Verwendungszweck und -art:

- Zur Gleichstrom-zu-Gleichstrom Transformation.
- Zur Gleichstrom-Limitierung.
- Kabel benötigen ausreichend dimensionierte Sicherungen.
- Darf nur in einem gut belüfteten, trockenen und staubfreien Ort betrieben werden..
- Die Anleitung sollte vor der Installation gelesen werden.

Sicherheits Symbole



ACHTUNG
WARNUNG



EXPLOSIONS-
GEFAHR

- **Beispiel - WARNUNG. Benutzen Sie das Produkt niemals in Umgebungen, wo die Möglichkeit einer Gas oder Staub-Explosion besteht oder brennbare Produkte sind..**

Generelle Wartung und Reparatur.

Das Gerät muss bei einer Wartung durch einen Fachelektriker vom Strom komplett getrennt werden. Zur Reparatur senden Sie das Gerät bitte zu uns.

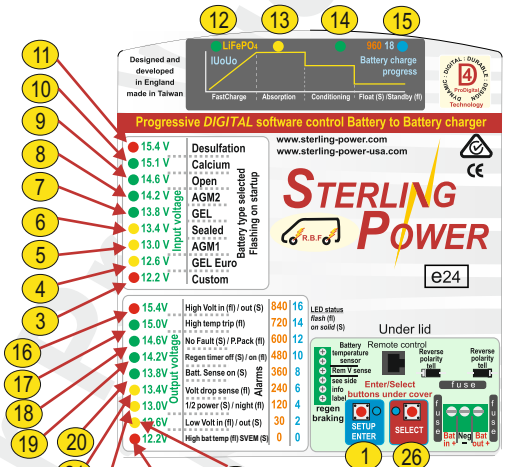
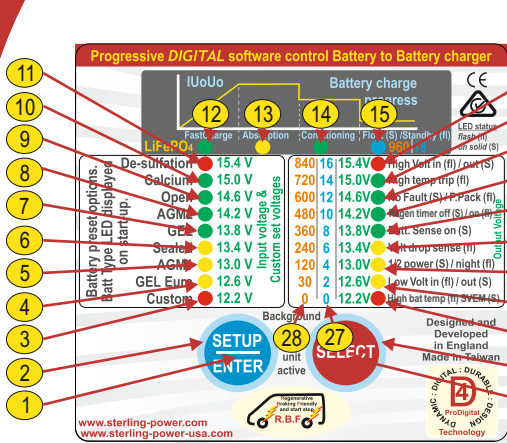
Generelle Sicherheits- und Installationshinweise.

- Installieren Sie das Gerät nur in ausreichend belüfteten Räumen. Das Gerät darf nicht Regen, Schnee, Dunst, Sprühnebel, Rauch oder extrem hoher Feuchtigkeit ausgesetzt werden. Auch darf es nicht abgedeckt werden und die Lüftungsöffnungen müssen offen bleiben.
- Der Geräte-Minus-Anschluss muss mit dem allgemeinen Minus verbunden werden. Es können nicht 2 komplett isolierte Batterien geladen werden, da der Negativ der geladenen und der Quell-Batterie immer einen gemeinsamen Minus haben.
- Im Falle eines Feuers nutzen Sie einen Feuerlöscher.
- Achten Sie darauf, dass das Gerät weder verpolt noch kurzgeschlossen wird..
- Schützen Sie alle Verbindungen mit ausreichend dimensionierten Sicherungen.
- Überprüfen Sie alle Verbindungen jährlich.
- Vermeiden Sie den Kontakt mit feuchten/hassen Händen.
- Achten Sie auf eine feste und korrekte Installation des Gerätes an einer Wand.
- Das Gerät sollte nur von einem Fachbetrieb installiert werden.

Batterie & Sicherheit

Extrem starke Ladung oder Entladung oder hohe Spannungen können zu Schäden an der Batterie führen. Überschreiten Sie nicht die empfohlenen Ladespannungen der Batterien, welche Sie vom Hersteller der Batterien erfahren. Sollten Sie Kontakt mit Batteriesäure bekommen, waschen Sie sofort die Kontaktflächen mit Wasser und Seife. Sollten Ihre Augen betroffen sein, spülen Sie diese für 20min. mit Wasser aus und gehen Sie sofort zu einem Arzt oder ins nächstgelegene Krankenhaus.

STERLING POWER



Modelle:
 BB1260 / BB122470 / BB123670 / BB124870 /
 BB242435 / BB241235

Modell:
 BB1230

Beschriftung

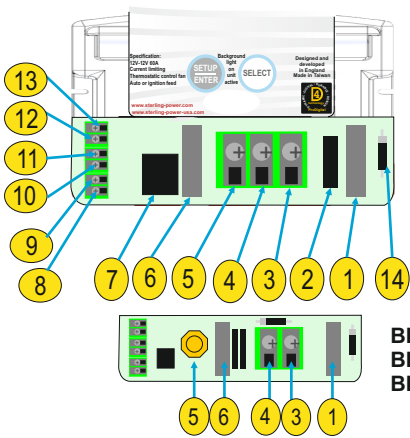
- 1 & 26) ENTER / SETUP und SELECT Taster, werden zur Einstellung benötigt.
- 2 & 25) Taster Hintergrundlicht. Wenn es leuchtet sind die Taster aktiv.
- 3)-11) Die LED Reihe hat 3 Funktionen.
 1. Während des Startvorgangs wird der Batterietyp angezeigt.
 2. Während des Betriebs zeigt es die Eingangsspannung an.
 3. Bei der Programmierung des individuellen Batterietyps wird die Spannung angezeigt.
- 12) Die LED hat 2 Funktionen. 1. Während des Startvorgangs wäre es die LED für LiFePo Lithium Batterien. 2. Während des Ladevorganges zeigt es die Ladestufe an.
- 13-15) Anzeige der Ladestufe.
- 15) Blinkt im Standby Modus.
- 16-24) Die LED Reihe hat 3 Funktionen:
 1. Anzeige der Ausgangsspannung
 2. Im Falle eines Fehlers oder beim Umschalten in die Statusanzeige werden Stati oder Fehler angezeigt.
 3. Zur Programmierung des individuellen Batterietyps dienen die LEDs zur Anzeige des Wertes.

- 17) Zu hohe Temperatur des Gerätes = blinken (Lüfter defekt oder blockiert?)
- 18) Keine Fehler = an, Modus ohne Ausgangsspannungsprüfung = blinken.
- 19) Rekuperations-Modus aus = LED an Rekuperations-Timer auf null = LED an Rekuperations-Timer aktiv = LED blinkend
- 20) Batterie-Temperatur-Sensor angeschlossen und OK.
- 21) Spannungsabfall auf dem Spannungs-Sensor Kabel zu hoch (> 1,5V). LED blinkt. Spannung wird jetzt am Ausgang geregelt.
- 22) Leistung auf ca. 50% reduziert = LED an Gerät im aktiven Nachtmodus = LED blinkt.
- 23) Zu geringe Eingangsspannung = LED an geringe Ausgangsspannung = LED an
- 24) Batterie-Temperatur zu hoch = LED blinkt. Stationäre Niederspannungsladung aktiv = LED an
- 27) Diese sind die Faktoren der Ladezeitberechnung bei der Einstellung des individuellen Batterietyps.
- 28) Diese Zahlen geben die Zeit in Minuten wieder bei der Einstellung der minimalen und maximalen Ausgleichs-ladungszeit des individuellen Batterietyps an.

Status- und Fehleranzeigen

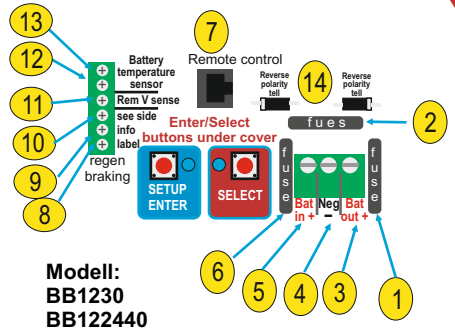
- 16) Überspannung: Zu hohe Eingangsspannung = blinken; zu hohe Ausgangsspannung = an

STERLING POWER



Modelle:
BB1260
BB242435
BB241235

BB122470
BB123670
BB124870



Modell:
BB1230
BB122440

Zur Entfernung der Abdeckung drücken Sie bitte an beiden Seiten die Laschen max. 4mm ein. Dann sollte sich die Abdeckung lösen.

Unter der Abdeckung

- 1) DC Ausgangs-Sicherung
- 2) Boost Sicherung
- 3) DC Ausgang zur Batterie
- 4) Gemeinsamer Minus-Anschluss
- 5) DC Eingang von der Starter-Batterie
- 6) DC Eingang-Sicherung
- 7) Fernbedienungs-Anschluss
- 8) gebrückt mit 10) Betrieb mit sehr tiefer Absenkung der Eingang-Regelspannung. (Rekuperations-Modus)
- 9) Zündungs-Aktiv-Signal-Anschluss (bei Nutzung muss die Brücke 9)-10) gelöst werden)
- 9) gebrückt mit 10) = Automatik-Betrieb
- 11) Batterie-Spannungs-Sensor Anschluss (optional)
- 12) + 13) Batterie-Temperatur-Sensor Anschluss (optional)

Technische Daten:

(bei 24V x2, 36V x3, 48V x4)

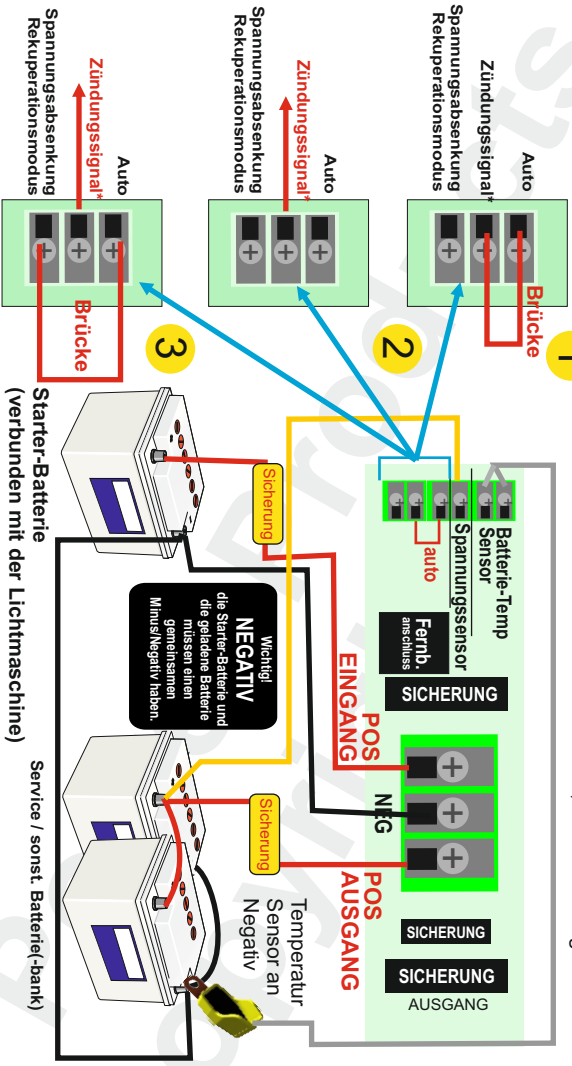
Max. Eingangsspannung:	20V
Spannungs-Arbeitsbereich:	11 - 19V
Ausgangsspannungsbereich:	12 - 16V
Max. Eingangsstrom:	
BB1230	30A
BB122440	40A
BB2412/BB2424	35A
BB1260	60A
BB1224/BB1236/BB1248	70A
Max. Ausgangsstrom :	
BB1230	ca. 23 - 30A
BB122440	ca. 12 - 18A
BB1260	ca. 50 - 60A
BB1224/BB2424	ca. 30 - 35A
BB1236	ca. 18 - 22A
BB1248	ca. 15 - 17A
BB2412	ca. 60 - 70A
Eigenstromverbrauch (aktiv):	80 - 120mA
Fernbedienung (aktiv):	+40 - +60mA
Stromverbrauch Schlafmodus:	1,5 - 0,8mA
(mit angeschlossener Fernbedienung =	2,5mA)

Der Stromverbrauch im Aktiv-Modus ist abhängig von der Anzahl der LEDs, welche leuchten.

Empfohlene Kabelstärken und Sicherung

einfache Entfernung	1m	2m	3m	4m	5m	Empf. Sicherung
30A Gerät	6mm ²	10mm ²	16mm ²	16mm ²	25mm ²	50A
60A Gerät	16mm ²	25mm ²	25mm ²	35mm ²	35mm ²	100A

Gerät arbeitet mit Standardwerten, wenn nicht angeschlossen.



Betriebs-Modus

- 1** Automatische Aktivierung
Gerät schaltet sich automatisch bei >13.6V ein und bei < 13.2V aus. Fällt die Spannung unter 13.3V /lädt das Gerät noch 120 Sekunden weiter (automatische Rekuperation). Dieses kann über das Setup ausgeschaltet werden.
- 2** Zündungssignal Aktivierung
Dieser Betriebsmodus benötigt ein Signal. Das Gerät lädt nur, wenn das Signal anliegt. Dabei gelten die Standardspannungswerte (falls nicht verändert). > 13.3V an, < 13.2V aus, 120 Sek. auch unter 13.3V.
- 3** Zündungssignal Aktivierung mit tiefer Eingangsspannungsregelung
Das Zündungssignal wird zur Aktivierung benötigt. Das Gerät regelt jetzt sehr niedrig am Eingang ab (12.0V - kann übers Setup geändert werden). Es erfolgt keine automatische Abschaltung nach x-Sekunden!

SETUP - Schnellanleitung



SETUP / ENTER + SELECT TASTER	
Haltdauer (Sek.)	Aktion
> 2	Umschaltung in Erhaltungsladung
> 5	Gerät Standby ein-/ausschalten
> 10	Batterietyp auswählen
> 20	Eingangs-Abregelspannung verändern
> 30	Gerät auf Standardwerte zurücksetzen

SETUP / ENTER TASTER	
Haltdauer (Sek.)	Aktion
> 0,5	Spannungsanzeige
> 5	1/2 Leistung ein/aus/ausschalten
> 10	Rekuperationszeit einstellen
> 15	Ausgangsspannungs-Prüfung ein/aus

SELECT TASTER	
Haltdauer (Sek.)	Aktion
> 0,5	Statusanzeige für 10 Sek.
> 2	Nachtmodus (8 Std.) ein/aus
> 5	Standby ein/aus
>10	Anzeige der Softwareversion
> 15	SVEM - Stationäre Fahrzeugladung

Für 24V alle Spannungen x 2,
für 36V alle Spannungen x 3 und
für 48V alle Spannungen x 4

Installationsanleitung

Wir empfehlen wie folgt bei der Installation vorzugehen:

1. Auswahl des Betriebsmodus
2. Montage des Gerätes
3. Verlegen der Ladekabel
4. Anschluss des negativ Kabels.
5. Anschluss der optionalen Verbindungen (Zündungssignal, Spannungssensor, Temperatursensor)
6. Einstellmöglichkeiten nach Anschluss (unbedingt durchlesen!)
7. Anschluss der positiven Ladekabel
8. Einstellen des Batterietyps
9. Weitere Einstellungen.



Wir empfehlen immer die Installation von einem Fachbetrieb vornehmen zu lassen!

1. Bei der Auswahl des Betriebsmodus haben Sie 3 Möglichkeiten:

1.1 Automatische Aktivierung (Standard).

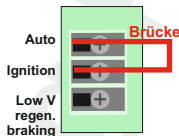
Bei der automatischen Aktivierung fängt das Gerät an zu laden, sobald eine Spannung von >13,6V am Eingang anliegt (Aktivierung dauert bis zu 60 Sekunden). Fällt diese Spannung unter 13,3V lädt es für 2 Minuten solange die Eingangsspannung >12,0V ist (Auto-Rekuperation - kann abgeschaltet werden - siehe Pkt. 8).

Anschließend fällt es nach 1 Minute in den Schlafmodus.

Dieser automatische Modus ist für 99% aller Anwendung die richtige Einstellung und das Gerät wird entsprechend so ausgeliefert.

Für diese Einstellung muss die Brücke wie folgt gesetzt sein:

AUTOMATISCHE AKTIVIERUNG

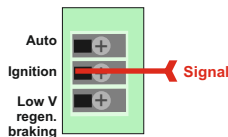


1.2 Aktivierung nur bei Signaleingang

Über den Anschluss „Ignition“ muss ein Spannungssignal (z.B. von der Zündung) eingespeist werden. Nur dann schaltet sich das Gerät ein und lädt innerhalb der Spannungs-werte, welche auch unter Pkt. 1.1. beschrieben sind.

Diese Funktion ist sinnvoll, wenn Sie die Kontrolle haben möchten, wann das Gerät lädt, oder wenn es Situationen gibt, in denen das Gerät nicht arbeiten soll.

AKTIVIERUNG ÜBER EXTERNES SIGNAL (z.B. Zündung)



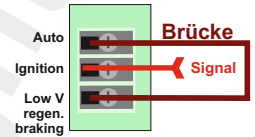
1.3. Aktivierung über externes Signal und sehr tiefe Eingangsspannung Regelung (für Fahrzeuge mit sehr tiefer Rekuperation)

Dieser Modus ist nur zu empfehlen, wenn der Modus 1 oder der Modus 2 nicht zum gewünschten Erfolg führt.

Die Abregelung erfolgt jetzt immer bei 11,5V (kann übers Setup verändert werden) und es gibt keine zeitliche Begrenzung.

Viele neuen Fahrzeuge laden die Starterbatterie kaum und deshalb ist es dann notwendig die Abregelung sehr niedrig zu setzen. Dabei ist aber unbedingt ein Aktivierungssignal (z.B. von der Zündung oder über einen CAN-Bus Signalgeber notwendig, damit das Gerät die Starterbatterie nicht entlädt, wenn eben keine Ladung mehr erfolgt und der Motor ausgeschaltet ist.

AKTIVIERUNG ÜBER EXTERNES SIGNAL + TIEFE EINGANGSSPANNUNG



Diese Einstellung kann Ihre Batterien entladen, wenn der Motor ausgeschaltet, das Zündungssignal aber eingeschaltet ist!

2. Montage des Gerätes

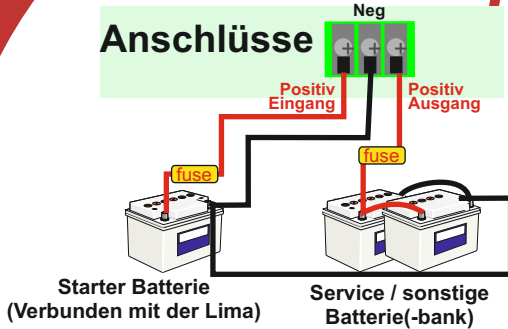
Befestigen Sie das Gerät in einem kühlen, belüfteten und trockenen Raum, am Besten an einer Wand. Gibt es an dem Installationsort starke Vibrationen oder Schwingungen, sollte das Gerät mit Schwingungsdämpfern montiert werden. Achten Sie auch auf einen ausreichenden Abstand oberhalb des Gerätes, damit die benötigte Luft zum Kühlen ungehindert ein- und ausströmen kann. Lassen Sie auch genügend Platz unterhalb des Gerätes für die zu verlegenden Kabel.

3. Verlegen der Ladekabel

Bei der Auswahl der Ladekabel richten Sie sich bitte nach der Tabelle auf der Seite 5.

Für das Minus-Kabel kann eine Querschnittsgröße kleiner verwendet werden.

Das Minuskabel sollte auf dem kürzesten Wege direkt zum Minus der Starterbatterie gelegt werden. Auch mit den Plus-Leitungen bitte keine großen Umwege legen. Halten Sie ausreichend Abstand zu Antennen- und Datenkabeln.



4. Anschluss des negativen Kabels

Um das Gerät zu verbinden, sollte zuerst das negative Kabel mit dem Neg. Anschluss 4) des Gerätes verbunden werden. Anschließend wird das negativ-Kabel mit dem Minus-Pol der Starterbatterie verbunden.

5. Anschluss der optionalen Verbindungen

Schließen sie jetzt bitte die optionalen Sensoren und Anschlüsse an. Dazu gehören der Batterie-Temperatur-Sensor (Anschluss 12 + 13), das Batterie-Spannungs-Sensorkabel (Anschluss 11) und das Signalkabel (Anschluss 9), wenn der Betriebsmodus 2 oder 3 verwendet wird. Kabelstärken für Anschluss 9 oder 11 empfehlen wir 0,14mm² bis 0,25mm² zu verwenden.

6. Einstellmöglichkeiten nach Anschluss

Nur während des ersten Anschlusses wird der Batterietyp für 10 Sekunden angezeigt.

6.1 Änderung des Batterietyps

Während dieser 10 Sekunden können Sie direkt das Batterietyp Auswahl Menü kommen, indem Sie gleichzeitig die Setup/Enter und die Select - Taste drücken. Für das Einstellen lesen Sie bitte unter Pkt. 8 die genaue Einstellung durch.

Erfolgt keine Batterietyp-Auswahl, startet das Gerät normal.

7. Anschluss der positiven Ladekabel

Schließen Sie zuerst die potentialfreien, kontaktlosen, positiven Eingangs- und Ausgangskabel an den Kabelklemmen 5) + 3) an. Achten Sie darauf, dass die Kabel entsprechend abgesichert sind. Nachdem beide Kabel angeschlossen sind, verbinden Sie das Ausgangs-Ladekabel mit dem Positiv-Anschluss der Service-Batterie (oder sonst. Batterie, welche geladen werden soll). War dieses erfolgreich, verbinden

Sie das Eingangs-Ladekabel mit dem Plus-Pol der Starterbatterie.

Sobald Sie das positive Kabel an der Starterbatterie angeschlossen haben, startet das Gerät mit der Initialisierung. Zuerst leuchten alle LEDs einmal kurz auf. Anschließend leuchtet das blaue Hintergrundlicht und die Lüfter starten von langsam bis zur maximalen Leistung. Dann ertönt ein kurzer Ton.

Blinken anschließend 2 rote LEDs mehrer Male, liegt ein Kalibrierungsfehler vor. Dann müsste das Gerät im Werk neu kalibriert werden.

Nun wird der Batterietyp für 10 Sekunden angezeigt. Siehe Pkt. 6.1 und Pkt. 8.

Wird in diesem Schritt keine Batterieeinstellung vorgenommen, hängt es jetzt davon ab, welcher Modus ausgewählt wurde.

ERS = Eingangs-Regel-Spannung !!

Modus 1: Automatik

Liegt die Eingangsspannung 0,3V über der ERS fängt das Gerät an zu laden. Anschließend wird bis zur ERS geladen. Die Spannungen können auf dem Gerät abgelesen werden.

Liegt die Eingangsspannung 0,1V unter der ERS schaltet das Gerät nach 60 Sekunden in den Schlafmodus und wacht dann erst wieder auf, wenn die Eingangsspannung 0,3V über der ERS ist.

Modus 2: Aktivierung durch Signal

Einschalten (aufwachen) und ausschalten (Schlafmodus) wie Modus 1. Die Ladung erfolgt aber nur, wenn ein Signal anliegt. Ansonsten ist das Gerät zwar an, aber nur im Standby-Modus.

Modus 3: Aktivierung durch Signal + tiefe Abregelung

Liegt ein Eingangssignal an und die Eingangsspannung ist größer als (ERS - 1,8V) an, lädt das Gerät.

(Standardeinstellung wäre dann 11,5V)

Liegt KEIN Eingangssignal an, schaltet es nach 60 Sekunden in den Schlafmodus, unabhängig von der Eingangsspannung.

ERS kann über das Menü eingestellt werden !!

► Einstellungen

8. Einstellen des Batterieprofils



Zur Einstellung gibt es 2 Möglichkeiten. 1. Direkt nach dem Anschließen des positiven Eingangsladekabels während der Anzeige des Batterietyps (siehe Pkt. 6.1.) oder 2. während des aktiven Betriebs durch gleichzeitiges Drücken von Setup/Enter + Select für mehr als 10 Sekunden. Alle Batterieprofil LEDs der linken Seite blinken.

Durch Drücken der Setup/Enter (Auswahl nach unten) oder Select (Auswahl nach oben) Taste können Sie das Batterieprofil auswählen. Haben Sie Ihre Auswahl abgeschlossen, drücken Sie die Tasten Setup/Enter + Select gleichzeitig. Das ausgewählte Batterieprofil blinkt schnell für 3 Sekunden. Im Falle des „custom“ Profils kommt man anschließend in das Menü zum Einstellen des gesamten Batterieprofils oder bei den Standardprofilen startet das Gerät.

8.1 Individuelles Batterieprofil (custom) einstellen

Das „custom“ Batterieprofil müssen Sie zuerst wie in 8. beschrieben auswählen. Dann folgen die folgenden Einstellungen:

8.10 Fast Charge / Ausgleichslade - Spannung (Ladestufe 1 + 2) einstellen

Die obere „Fast-Charge“ LED 12) blinkt und eine der rechten LEDs 16)-24). Es gilt die grüne Spannungsspalte (bei 24V x2, bei 36V x3 und bei 48V x4). Stellen Sie jetzt mit den Setup/Enter + Select Tasten die gewünschte „Fast-Charge“ Spannung (Ladestufe 1 + 2) ein.

Leuchten 2 LEDs dann ergibt sich daraus die Mitte der Spannungen aus den 2 Werten der LEDs.

Leuchtet z.B. 12,6V + 13,0V dann ergibt sich der Mittelwert von 12,8V. Bitte wählen Sie immer den Wert, der Ihrer gewünschten Einstellung am nächsten kommt.

Ist die gewünschte Spannung eingestellt, dann drücken Sie gleichzeitig Setup/Enter + Select oder warten 30 Sekunden.

8.11 Konditionierung - Spannung (Ladestufe 3) einstellen

Die obere „Conditioning“ LED 14) blinkt und eine der rechten LEDs 16)-24). Es gilt die grüne Spannungsspalte. Einstellung und Abschluss wie 8.10.

8.12 Erhaltung - Spannung (Ladestufe 4) einstellen

Die obere „Float“ LED 15) blinkt und eine der rechten LEDs 16)-24). Es gilt die grüne Spannungsspalte. Einstellung und Abschluss wie 8.10.

8.13 Ausgleichsladungzeitfaktor auswählen

Dieser Faktor bestimmt die berechnete Zeit der Ausgleichsladung. Dabei wird die Zeit vom Start der Ladevorgangs bis zum Erreichen der Ausgleichsladepannung mit diesem Faktor multipliziert. Beispiel: Dauert es 30 Minuten vom Anfang der Ladung bis zum Erreichen der Ladeschlussspannung und ist der Faktor auf 4 eingestellt, dann beträgt die berechnete Ausgleichsladungszeit 120 Minuten. Ob dieser Wert Gültigkeit hat, hängt dann aber auch von den min. und max. Werten aus den Einstellungen 8.14. und 8.15 ab.

Die obere „Fast-Charge“ LED 12) und die obere „Float“ LED 15) blinken und eine der rechten LEDs 16)-24). Es gilt die blaue Spalte 27) mit den Werten 0 - 16. Stellen Sie jetzt mit den Setup/Enter + Select Tasten den gewünschten Multiplikations-Faktor ein. Leuchten 2 LEDs dann ergibt sich daraus die Mitte der 2 Werte. Ist der gewünschte Wert eingestellt, dann drücken Sie gleichzeitig Setup/Enter + Select oder warten 30 Sekunden.

8.14 Mindest Ausgleichsladungszeit einstellen

Ist die berechnete Zeit kleiner als dieser Wert, wird immer diese eingestellte Zeit (Minuten) für die Ausgleichsladung (Stufe 2) verwendet.

Die obere „Absorption“ LED 13) und die obere „Float“ LED 15) blinken und eine der rechten LEDs 16)-24). Es gilt die orange Spalte 28) mit den Werten 0 - 840. Die Angabe ist in Minuten! Stellen Sie jetzt mit den Setup/Enter + Select Tasten die gewünschte Zeit in Minuten ein. Leuchten 2 LEDs dann ergibt sich daraus die Mitte der 2 Werte. Ist der gewünschte Wert eingestellt, dann drücken Sie gleichzeitig Setup/Enter + Select oder warten 30 Sekunden.

8.15 Maximale Ausgleichsladungszeit einstellen

Ist die berechnete Zeit größer als dieser Wert, wird immer diese eingestellte Zeit (Minuten) für die Ausgleichsladung (Stufe 2) verwendet.

Die obere „Conditioning“ LED 14) und die obere „Float“ LED 15) blinken und eine der rechten LEDs 16)-24). Einstellung wie 8.14.

Nach Abschluss der Einstellung blinken jeweils rechts und links je eine LED für 10 Sekunden und bestätigen damit den Abschluss der Einstellung und die Speicherung der Werte.

Die Werte bleiben nur bis zur nächsten Einstellung des Batterietyps gespeichert.



9. Weitere Einstellungen



9.1 Zwangsumschaltung in Erhaltungsladung > 2 Sekunden - Setup/Enter + Select

Durch Drücken der oberen Tastenkombination für mehr als 2 Sekunden wird sofort in die Erhaltungsladephase umgeschaltet. Dieses kann vielleicht sinnvoll sein, wenn durch ständiges Ein- und Ausschalten des Motors immer mit der hohen Spannung der 1. Ladestufe geladen wird und dieses nicht gewünscht ist.

9.2 Gerät in Standby oder wiedereinschalten > 5 Sekunden - Setup/Enter + Select

Durch Drücken der oberen Tastenkombination für mehr als 5 Sekunden wird das Gerät in den Standby-Modus oder wieder zurück geschaltet. Während des Standby-Modus ist nur die rechte Status-LED-Leiste aktiv. Spannungen werden nicht angezeigt.

9.3 Eingangs-Regelspannung einstellen > 20 Sekunden - Setup/Enter + Select

Diese Einstellung sollte nur nach gründlicher Überprüfung verändert werden, da mehrere Werte verändert werden und die Einstellung etwas komplizierter ist. Durch Drücken der oberen Tastenkombination für mehr als 20 Sekunden wird das Menü aufgerufen. Die oberen LEDs „Fast Charge“ 12), „Absorption“ 13), „Conditioning“ 14) und „Float“ 15) blinken und LEDs 3) bis 11) auf der linken Seite dienen zur Einstellung. Es gelten die Spannungswerte dieser Spalte.

Blinkt eine LED, dann wird der Spannungswert der LED, welche nicht blinkt um 100mV erhöht oder geringer. Z.B. die LED 13,0V ist an und die LED 13,4V blinkt, dann ist die Einstellung 13,1V. Leuchten jetzt die LED 13,0V und 13,4V dann ist die Einstellung 13,2V, somit der Mittelwert. Damit lassen sich jetzt alle Werte im Bereich von 12,2V bis 15,4V in 100mV Schritten einstellen.

Mit dieser Einstellung wird der Standardwert (13,3V) verändert. Die Absenkungen für Rekuperation (1,3V) und tiefe Abregelspannung (1,8V) bleiben immer Konstante von diesem Grundwert.

9.4 Geräte - Reset > 30 Sekunden - Setup/Enter + Select

Das Gerät kann hiermit in den Werk-Auslieferungszustand zurückgesetzt werden. Alle linken und rechten LEDs blinken abwechselnd. Innerhalb von 10 Sekunden muss diese Aktion durch gleichzeitiges Drücken beider Tasten für mind. 2 Sekunden bestätigt werden. Ansonsten geht es in den normalen Betrieb zurück.

9.5 Rückschaltung Spannungsanzeige > 0,5 Sekunden - Setup/Enter

Ist die Statusanzeige durch einen Fehler oder Tastendruck ausgewählt, kann durch schnelles Drücken der Setup/Enter wieder in die Spannungsanzeige zurückgeschaltet werden.

9.6 1/2 Leistungseinstellung ein/aus > 5 Sekunden - Setup/Enter

Durch Drücken der Setup/Enter Taste kann das Gerät auf ca. 50% Leistung reduziert werden. Dieses ist nur sinnvoll, wenn gewünscht wird, dass die Starterbatterie mehr Ladung erhält.

Über die Statusanzeige kann überprüft werden, ob 50% Leistung ausgewählt ist. Durch die gleiche Aktion kann die Leistungsreduzierung auch wieder rückgängig gemacht werden.

9.7 Rekuperationszeit einstellen / ausschalten > 10 Sekunden - Setup/Enter

In diesem Menüpunkt lässt sich die Rekuperationszeit verändern und auch auf Null stellen und somit die Auto-Rekuperation deaktivieren.

Halten Sie die Setup/Enter Taste für min. 10 Sekunden gedrückt. Anschließend blinkt die „Absorption“ LED und eine der LEDs auf der rechten Seite. Die orange Spalte von 0 - 840 ist aktiv. Die Zahl entspricht Sekunden. Leuchten 2 LEDs gilt der Mittelwert. Durch Drücken der Taster Setup/Enter oder Select lässt sich der Wert bis auf 840 Sekunden erhöhen oder bis auf 0 Sekunden reduzieren. Durch gleichzeitiges Drücken beider Tasten wird die Auswahl bestätigt und durch 2 grüne LEDs optisch zusätzlich bestätigt.

Möchten Sie die Auto-Rekuperation deaktivieren, wählen Sie bitte 0 Sekunden aus (untere rote LED).

9.8 Ausgangsspannungsprüfung ein/aus > 15 Sekunden - Setup/Enter

Durch mehr als 15 Sekunden Drücken der Setup/Enter Taste können Sie die Ausgangsspannungsprüfung aktivieren oder deaktivieren. Das ist nur sinnvoll, wenn durch eine ansteigende Ausgangsspannung dann ein Relais aktiviert wird. Ist die Ausgangsspannungsprüfung deaktiviert, wird auch mit der Ladung angefangen, wenn keine Batterie angeschlossen ist und die Spannung somit unter 4V ist. Es gibt dann keinen Alarm und keine Warnmeldung.

Mit dieser Funktion kann die Prüfung auch wieder eingeschaltet werden.

Im Menü angekommen blinken die „Fast Charge“, die „Absorption“ und die „Float“ LED.

Es leuchtet entweder die grüne LED 18) für EIN oder die rote LED 24) für Prüfung AUS. Durch Drücken der Taste Select kann zwischen den beiden Optionen hin- und hergeschaltet werden. Bestätigt wird automatisch nach 30 Sekunden ohne Betätigung oder durch gleichzeitiges Drücken beider Tasten.

Anschließend wird die Auswahl für 5 Sekunden und gleichzeitigem schnellen Blinken der 3 oberen LEDs bestätigt.



9.9 Statusanzeige für 10 Sekunden
> 0,5 Sekunden - Select

Durch kurzes Drücken der Select Taste werden die Spannungsanzeigen deaktiviert und nur die rechten LEDs zeigen den Status des Gerätes an. Nach 10 Sekunden werden wieder die Spannungen angezeigt.

9.10 Nachtmodus für 8 Std. aktiv / deaktivieren
> 2 Sekunden - Select

Durch Drücken der Select Taste für mehr als 2 Sekunden wird der Nachtmodus aktiviert oder wieder deaktiviert. Der Status kann über die Statusanzeige angezeigt werden und wird nach einer Veränderung auch für einige Sekunden angezeigt. Im Nachtmodus wird nur mit 50% geladen und der Lüfter läuft nur in der niedrigsten Stufe. Im Nachtmodus soll das Gerät so ruhig wie möglich arbeiten. Bei 50% Leistung wird der Lüfter meistens nicht aktiv. Nach 8 Std. oder durch Standby oder im Schlafmodus schaltet das Gerät automatisch wieder zurück.

9.11 Standby ein / aus
> 5 Sekunden - Select

Durch Drücken der Select Taste für mehr als 5 Sekunden schaltet das Gerät in den Standby-Modus oder zurück. Im Standby-Modus erfolgt keine Ladung. Beim Ausschalten wird mit der Ladung in der Ladephase fortgefahren, in der in den Standby geschaltet wurde.

9.12 Softwareversionsanzeige
> 10 Sekunden - Select

Durch Drücken der Select Taste für mehr als 10 Sekunden wird die Softwareversion im Binärcode für 10 Sekunden angezeigt.

9.13 SVEM Modus
> 15 Sekunden - Select

Durch Drücken der Select Taste für mehr als 10 Sekunden wird das Gerät in den SVEM Modus geschaltet. In diesem Modus schaltet das Gerät 0,2V unter der eingestellten Regelspannung (Standard 13,3V) ein (also 13,1V) und regelt an dieser Schwelle auch ab. 0,3V unter der eingestellten Regelspannung geht das Gerät in den Schlafmodus (dann 13,0V).

10 Fehleranzeigen und eventl. Ursachen
10.1 LED 16 rot blinkt - Überspannung Eingang

Blinkt die rote LED 16 dann lagen am Eingang mindestens 19V für mehr als 3 Sekunden an. Überprüfen Sie die Spannung am Eingang. Eventuell ist ein Regler defekt oder eine andere Spannungsquelle erzeugt eine zu hohe Spannung.

10.2 LED 16 rot - Überspannung Ausgang

Leuchtet die rote LED 16 dann lagen am Ausgang mindestens 16V für mehr als 3 Sekunden an. Überprüfen Sie die Spannung am Ausgang. Eventuell ist eine andere Quelle Ursache der Spannung oder ein anderer Regler (z.B. Solar) defekt. Schalten Sie das Sterling B2B aus und überprüfen Sie die Spannung. Tritt der Fehler immer wieder auf, wenn Sie das Sterling B2B aktivieren, könnte auch hier ein Defekt vorliegen.

10.3 LED 17 blinkt rot - Übertemperatur

Blinkt die rote LED 17 dann ist das Gerät zu heiß geworden und schaltet ab. Eventuelle Fehlerursachen sind Lüfter defekt, Umgebungstemperatur zu hoch (keine ausreichende Belüftung) oder die Lüftungsein- und -auslässe sind versperrt. Überprüfen Sie diese Punkte. Zur Überprüfung der Lüfter müssen Sie das Gerät stromlos machen und anschließend wieder verbinden. Dann laufen die Lüfter einmal für 5 Sekunden von 0 bis max. an.

10.4 LED 21 blinkt gelb - Spannungsabfall

Wenn die gelbe LED 21 blinkt, dann ist der Batterie-Spannungs-Sensor angeschlossen. Das Gerät hat einen zu hohen Spannungsabfall zwischen dem Ausgang und dem Plus-Pol der Batterie (> 1,5V) festgestellt. Die Leistungsregelung erfolgt jetzt nur noch am Ausgang des Gerätes, bis der Fehler behoben wurde. Überprüfen Sie, ob die Kabelstärke ausreichend ist. Eventuell sind die Anschlüsse korrodiert oder schlecht verbunden. Überprüfen Sie auch, ob das Kabel tatsächlich an der Batterie angeschlossen ist, die durch das Gerät geladen wird.

10.5 LED 22 gelb an/blinkt - 1/2 Leistung

Wenn die gelbe LED 22 blinkt oder leuchtet kann das mehrere Ursachen haben. Blinkt sie dann ist das Gerät aktiv in den Nachtmodus geschaltet worden. Leuchtet die LED ist das Gerät entweder aktiv in den 1/2 Leistungsmodus geschaltet worden oder die Leistung wurde aufgrund einer zu hohen Gerätetemperatur (>85°C) reduziert. In diesem Fall überprüfen Sie die Lüfter und die Umgebungstemperatur. Eventuell ist der Montageort nicht richtig belüftet. Sorgen Sie dann für ausreichende Belüftung.

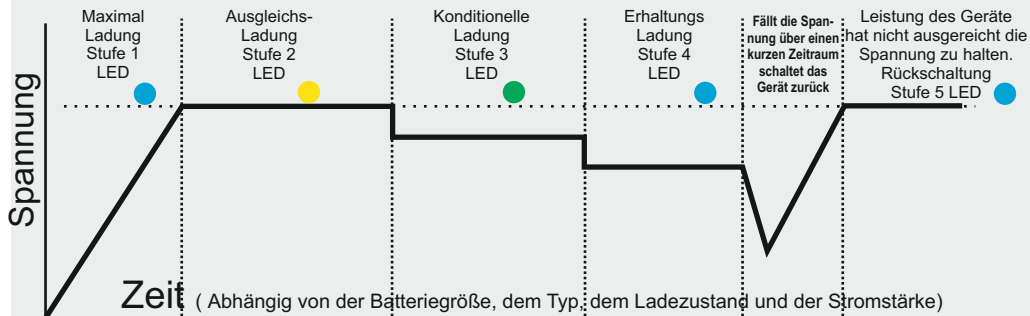
10.6 LED 23 gelb an/blinkt - Unterspannung

Blinkt die LED ist die Eingangsspannung zu gering. Überprüfen Sie die Lichtmaschine oder die Ladquelle der Starterbatterie. Leuchtet die LED konstant ist die Ausgangsspannung sehr gering. Entweder kann das Gerät nicht genug Leistung erbringen, weil gleichzeitig die Eingangsspannung zu gering ist, die Batterien sind defekt, die Leistung des Gerätes ist nicht ausreichend oder das Gerät selbst ist defekt.

10.7 LED 24 blinkt rot - Hohe Batterietemperatur

Das Gerät hat aufgrund einer zu hohen Batterietemperatur abgeschaltet (> 55°C). Entweder ist die Batterie defekt oder die Umgebungstemperatur zu hoch. Sorgen Sie für ausreichende Lüftung. Bei dieser Temperatur dürfen Batterien nicht geladen werden.

Ladekennlinie, Statusanzeige durch die 4 LEDs (blau/gelb/grün/blau)



Batterieprofile - Spannungen

Profil	Max./Ausgleich	Konditionierung	Float	Min. Ausgleich	Max. Ausgleich
1) GEL USA	14,0V	13,85V	13,7V	60 Min	600 Min
2) AGM	14,1V	13,75V	13,4V	60 Min	480 Min
3) Geschlossene Blei	14,4V	14,15V	13,6V	120 Min	480 Min
4) Gel Euro	14,4V	14,0V	13,8V	720 Min	1440 Min
5) AGM 2	14,6V	14,1V	13,7V	60 Min	480 Min
6) Offene Blei	14,8V	14,0V	13,3V	60 Min	480 Min
7) Kalzium	15,1V	14,3V	13,6V	60 Min	360 Min
8) Desulfatierung	15,5V	0	0	240 Min	240 Min
9) LiFePO4	14,4V	13,8V	13,8V	30 Min	30 Min

Konditionierung erfolgt nur, wenn der Max./Ausgleichszyklus kleiner als 4 Std. war. Die Konditionierung erfolgt nur für die Differenzzeit von bis zu 4 Std.

Sollten Sie Zweifel bzgl. der Spannung haben, kontaktieren Sie den Batteriehersteller und informieren Sie sich nach den Ladespannungen und Zeiten. Wählen Sie dann den Batterietyp, welcher den Empfehlungen am Nächsten ist. Aber immer von den Spannungen nach Unten am Nächsten. Z.B. empfiehlt der Hersteller 14,5V, muss ein Batterietyp mit max. 14,4V gewählt werden!

Batterie-Temperatur-Sensor:

Bei Verwendung eines Temperatursensor wird die Ladespannung entsprechend der Temperatur angepasst. Die Temperaturkompensation beträgt $18\text{mV}/^{\circ}\text{C}$. Eine Spannungserhöhung wird bis zu einer Temperatur von 0°C erfolgen. Bei geringeren Temperaturen wird weiter von 0°C ausgegangen. Das entspricht einer Erhöhung der Spannung von $0,45\text{V}$.

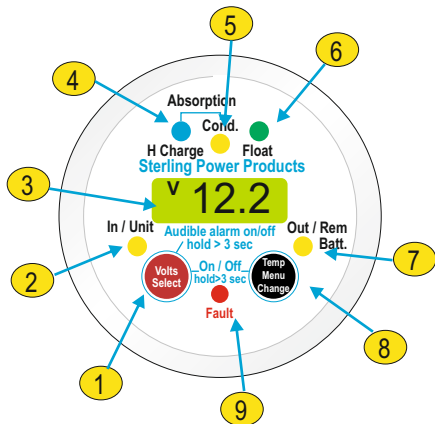
Bei Temperaturen über 25°C wird die Spannung verringert.

Die maximal erlaubte Batterie-Temperatur-Spannung beträgt 55°C . Ist die Spannung höher, führt dieses zu einer Fehlermeldung und zum sofortigen Stopp der Ladung.

Bei Temperaturen von mehr als 55°C dürfen Batterien nicht geladen werden. Sorgen Sie für eine ausreichende Belüftung und überprüfen Sie die Batterie. Eventuell ist diese Defekt und deshalb sehr warm geworden.

Der mitgelieferte Temperatursensor wird einfach an die entsprechenden Klemmen angeschlossen. Es gibt kein positives oder negatives Kabel. Es darf NUR der mitgelieferte Temperatursensor verwendet werden. Am Besten wird dieser Temperatursensor an eine Batterie geklebt oder auf einen Anschluss befestigt. Achtung!! Achten Sie darauf, dass das Gehäuse des Sensors (im Kabelschuh) nicht beschädigt wird.

optionale Fernbedienung



Einbau:

Bohren Sie ein Loch mit einem Durchmesser von 54mm.
Installieren Sie die Fernbedienung und verschrauben Sie diese von hinten.
Schließen Sie das Kabel hinten an und verlegen es zu dem Hauptgerät.
Achten Sie darauf, dass das Kabel nicht an stromführenden Kabeln verlegt wird.
Diese könnten die Übertragung der Daten unmöglich machen.

Fehlercodes

E00 = Eingangsp. hoch
E01 = Ausgangssp. hoch
E02 = Gerätetemperatur
E03 = Batterietemperatur
E04 = Keine Spannung Ausgang

Anzeigen

NM = Nachtmodus
1/2 = 50% Leistung
nc = nicht angeschlossen
OFF = Gerät aus
STB = Gerät standby
SLP = Schlafmodus

Kurzanleitung:

Volts/Select - Taste: (1)

sehr kurzes Drücken:

Hintergrundbeleuchtung ein

kurzes Drücken: (> 1 Sekunde)

Wechsel der Spannungsanzeige
Eingang, Ausgang, Batterie

längeres Drücken (> 4 Sekunden):

Temporäres Abschalten des Alarmsignals.

Temp/Menü/Change - Taste: (8)

sehr kurzes Drücken:

Hintergrundbeleuchtung ein

kurzes Drücken: (> 1 Sekunde)

Umschalten der Temperaturanzeige
Gerätetemperatur, Batterietemperatur

längeres Drücken: (> 2 Sekunden)

Nach-Modus ein/aus

längeres Drücken: (> 4 Sekunden)

Menü - Einstellungen

Volts Select + Temp/Menü/Change (1+8)

längeres Drücken: (> 2 Sekunden)

Umschalt in Erhaltungsmodus

längeres Drücken: (> 4 Sekunden)

Standby Modus aktivieren/deaktivieren

längeres Drücken: (> 6 Sekunden)

Gerät ein-/ausschalten

Ein- und Ausschalten des Gerätes (während die Eingangsspannung ausreichend ist (> 13,3V))

Halten Sie den linken und rechten Drucktaster für mindestens 6 Sekunden gedrückt. Es erscheint entweder „OFF“ oder „ON“ im Display, je nachdem welche Aktion möglich ist. Grundsätzlich ist diese Funktion nur möglich, wenn das Gerät nicht im Schlafmodus ist.

Wichtig!! Ist das Gerät mit der Fernbedienung ausgeschaltet worden, geht es zwar in den Schlafmodus, wenn die Eingangsspannung abfällt, steigt die Spannung wieder an (Motor wird gestartet) bleibt das Gerät weiterhin aus.

Achtung! Lässt sich das Gerät über die Fernbedienung nicht wieder einschalten, obwohl die Spannung ausreichend ist, kann es auch daran liegen, dass kein Signal am Zündungs-Signal-Anschluss anliegt. Überprüfen Sie den Anschluss.

STERLING POWER

Einstellungen von Parametern:

Um Einstellungen zu verändern, halten Sie den rechten Druckschalter für mindestens 4 Sekunden gedrückt, bis die Anzeige „SEL“ erscheint. Dann lassen Sie den Schalter los. Jetzt erscheint die Anzeige „rt“. Um einen anderen Menüpunkt zu wählen drücken Sie kurz den rechten Druckschalter (Temp/Menu/Setup) (8). Möchten Sie einen dieser Menüpunkte auswählen, drücken Sie den linken Druckschalter „Select“ (1). Innerhalb des Untermenüs können Sie dann wieder mit dem rechten Taster Werte auswählen und mit dem linken Taster diesen Wert betätigen. Einige Parameter sind einstellbar (siehe Liste).

Wählen Sie nichts aus erscheint nach einigen Sekunden automatisch wieder die vorher gewählte Anzeige.

**Die Auswahl wird automatisch nach 10 Sekunden beendet.
Die Auswahl ist dann gespeichert. Durch Drücken der Taste SELECT (1)
kann die Auswahl sofort beendet und gespeichert werden.**

Setup - Menu: (* = nur möglich, wenn nicht gesperrt)

SEL Für alle Einstellungen gilt: Durch Drücken des Tasters (8) „Change“ kann der Wert geändert, durch Drücken des Tasters (1) „Select“ wird dieser Wert dann bestätigt. Gibt es mehrere Auswahlmöglichkeiten wird am Anfang für jeweils 2 Sekunden die Ober- und Untergrenze der Werte angezeigt. Durch längeres Drücken der Taste „Change“ (8) beschleunigt sich die Anzeige der Werte (schneller).

- „rt“ Anzeige der verbleibenden Ausgleichs-/Konditionierungszeit
- „btY“ Anzeige des eingestellten Batterietyps
- „coU“ Anzeige des Eingangsspannungs-Limits. Ist die Eingangsspannung geringer, boostet das Gerät nicht mehr. (Standard: 13,3V - mit Auto Rekuperation = 12,0V)
- „loU“ Anzeige der Basis Eingangs- und Ausgangsspannung. Anzeige + linke LED (2) = Eingangs-Basisspannung, Anzeige + rechte LED (7) = Ausgangs-Basisspannung.
- „C/F“ Wechsel der Temperaturanzeige von Celcius zu Fahrenheit. Drücken Sie den rechten Tastschalter (8). Sie sehen dann einen Wechsel der Anzeige von „cel“ zu „FAH“. Bestätigen mit „Select“ (1).
- „CL“ Strombegrenzung: 1/1 = max. Strom, 1/2 = ca. 50% Leistung. Der aktuelle Wert wird angezeigt. Durch Drücken des Tasters (8), kann der Wert geändert, durch Drücken des Tasters (1) bestätigt werden. Ist diese Strombegrenzung eingeschaltet, erscheint „1/2“ immer wieder im Display.
- „bu2“ Ein-/Ausalten des Summers. „on“/“off“ (Standard = ein = on)
- „ASc“ Automatischer Wechsel der Anzeige ein/aus | on/off (Standard = ein = on)
- „Uon“ Anzeige der Spannungen während Schlafmodus und Standby ein/aus | on/off (Standard = aus = off)
- „con“ Kontrasteinstellung (0 - 7) Standard = 3.
- „bLc“* Wechsel der Hintergrundfarbe. aus <- auto -> grün -> rot -> blau (standard = auto)
- „bLl“* Zeit der Hintergrundbeleuchtung. 1 - 600 Sekunden, 0 = ständig an, (Standard = 60)
- „br9“* Farbwechsel-Spannung von rot zu grün. 8.0 - 13.3V (Standard 12.4V)
- „b9b“* Farbwechsel-Spannung von grün zu blau 12.4 - 16.0V (Standard 13.4V)
- „Led“* Zeit der LED Anzeige 1 - 600 Sekunden, 0 = immer an, (Standard = 0).
- „uld“ Anzeige der Geräte Identifikations-Nummer
- „uSW“ Anzeige der Geräte-Software-Version
- „rSW“ Anzeige der Fernbedienungs-Software-Version
- „Loc“ Gerät-Sperrungs-Code : 1 - 999 (standard = nicht gesperrt). **ACHTUNG** Durch Auswahl eines Codes wird das Gerät für einige Funktionen gesperrt. Haben Sie den gewünschten Code ausgewählt, warten Sie eine Weile. Dann wird „loc“ -> „on“ -> #. # = nummer, welche gespeichert wird. Um die Sperrung aufzuheben, stellen Sie den Code wieder ein. Anschließend wird „loc“ -> „off“ (grüne Hintergrundbeleuchtung) angezeigt. **Notieren Sie unbedingt den eingestellten Code!**
- „rSt“* Rückstellung der Fernbedienung auf Standardwerte. Auswahl „yes“ = ja und „no“ = nein. Wenn Sie diese Auswahl bestätigen, werden alle Werte wieder auf die Standardwerte zurückgestellt.
- „rSU“* Rückstellung des Ladegerätes auf Standardwerte. Auswahl „yes“ = ja und „no“ = nein. Wenn Sie diese Auswahl bestätigen, werden alle Werte im Ladegerät wieder auf die Standardwerte zurückgestellt.

Wartung, Pflege & Garantie

Regelmäßige Überprüfungen vor dem Einschalten

- Auf Beschädigungen. Sollte das Gerät beschädigt sein, darf es nicht weiter betrieben werden. Es sind dann alle stromführenden Kabel zu entfernen.
- Auf Gegenstände, die die Lüftung des Gerätes abdecken oder beeinträchtigen könnten.
- Auf Verschmutzungen der Lüftungsein- und auslässe. Sollten Verschmutzungen bestehen, müssen diese vor der Inbetriebnahme entfernt werden.
- Sicherungen auf Kontakt und Korrosion
- Auf Feuchtigkeit oder Wassereintritt

Regelmäßige Überprüfungen nach dem Einschalten

- Auf korrekte Funktion und Ladung
- Auf Fehlermeldungen/-anzeigen

Monatliche Überprüfungen

- Feste Verbindung des Gerätes mit der Rückwand / Befestigungswand bestätigen.
- Alle Anschlüsse am Ladegerät fest sind und keine Kabel lose herumhängen.
- Korrosion von Anschlüssen und Kabeln.
- Kabelzustand und Befestigung
- Batteriezustand und Kontrolle des Wasserstandes bei offenen Blei-Säure-Batterien
- Batterietemperatur während des Ladevorganges. Diese darf nicht viel höher sein, als die Umgebungstemperatur.

Fehlerbehebung und Reparatur

Sollte es zu einer Fehler am Gerät kommen, sollte zuerst überprüft werden, um welchen Fehler es sich handelt und ob es Möglichkeiten gibt (solange es sich um einen Fehler handelt, der außerhalb des Ladegerätes die Ursache hat), diesen zu beheben. Im Zweifelsfall rufen Sie bitte unsere Service-Nummer an, die Sie bei Ihrem Händler oder auf unserer Webseite erfahren.

Grundsätzlich sollte immer überprüft werden, ob alle Kabel korrekt verbunden sind und ob alle Sicherungen funktionieren und nicht durchgebrannt sind. Auch Korrosion kann erheblichen Einfluss auf den Stromfluss haben.

Ein- und Ausschalten des Gerätes, mit einer Pause

von mindestens 10 Sekunden (komplett stromlos machen) kann auch zu einer Fehlerbehebung führen, sollte sich die Software aufgehängt haben.

Sollte der Fehler weiter bestehen, ist als nächstes der Temperatursensor zu entfernen, um festzustellen, ob dieser Sensor eventuell defekt ist.

Auch sind alle Ausgänge mit einem Multimeter zu überprüfen, um festzustellen, ob die angezeigten Spannungen mit den Messungen des Multimeters übereinstimmen.

Überprüfen Sie alle verbauten Sicherungen auf einwandfreie Funktion und Durchgang.

Auch gibt es Fehler, welche nicht auf einen Fehler des Gerätes zurückzuführen sind. Eine zu hohe Spannung „DC high voltage trip“ kann auch durch eine externe Spannungsquelle verursacht werden.

Der Fehler „High Charger Temp trip“ kann auch deshalb vorkommen, weil das Gerät in einer zu warmen Umgebung installiert wurde, kein Luftaustausch vorhanden ist oder der Lüfter defekt ist.

Eine hohe Ausgangsspannung kann absolut korrekt sein, wenn es kalt ist und ein Batterie-Temperatur-Sensor angeschlossen ist, da eine Spannungs-Temperatur-Kompensation erfolgt.

Versuchen Sie NIEMALS das Gerät selber zu reparieren oder zu öffnen.

Senden Sie ein defektes Gerät an uns oder Ihren Händler mit einer Fehlerbeschreibung und einer Kopier der Kaufrechnung zurück.

Unsere Adresse:

Sterling Power Products Ltd.

8 Wassage Way

GB - Droitwich WR9 0NX

UK / England

Tel: +44 1905 771 771

email: deutsch@sterling-power.com

help@sterling-power.com

Bitte überprüfen Sie vor Rücksendung an uns, ob die Adresse und Kontaktdaten noch aktuell sind.

Alle Sterling Produkte haben eine 2 Jahre Werksgarantie
Kontaktieren Sie Sterling in Europa oder den USA.